

Pitch: 1.27mm(0.05") And 1.27*2.54mm(0.05"*0.1")
 Female Header Single/Dual Row Straight Sip/Dip Type FEAX46 Series

Technical Data

Material:

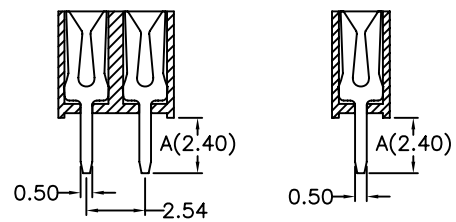
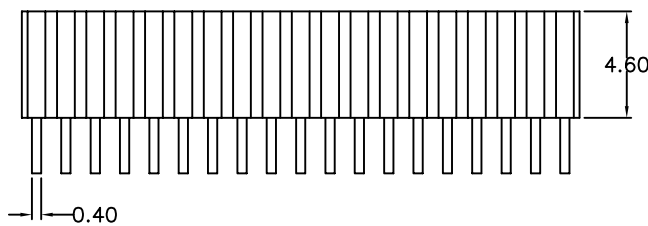
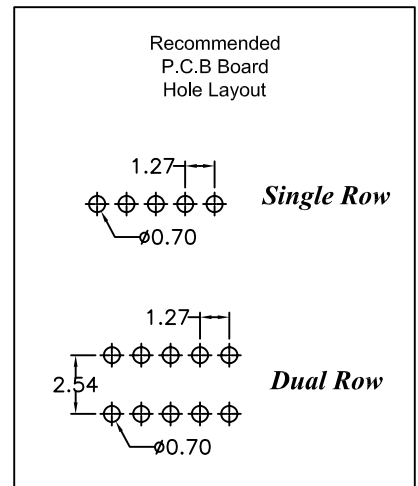
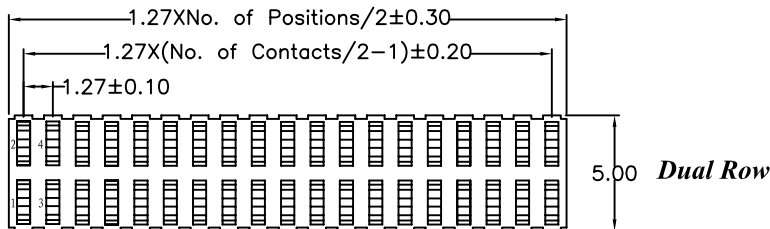
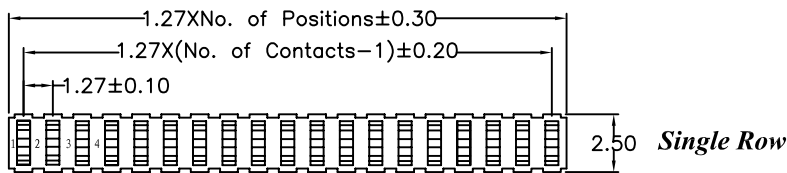
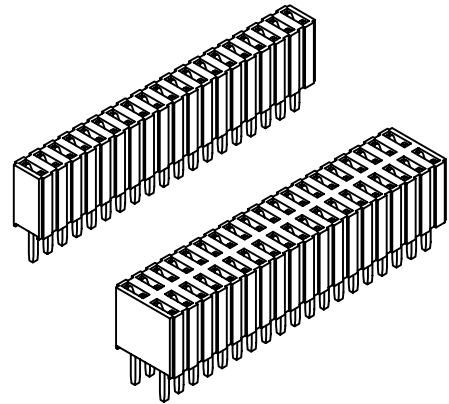
Contact Material: Brass
 Insulator Material: Black Polyester UL94V-0
 Standard: PBT+30%G.F

Electrical:

Current rating: 1.0Amps/contact max.
 Contact resistance: $\leq 20m\Omega$ /contact
 Insulation resistance: $\geq 1000M\Omega$ at V=100V
 Withstanding Voltage: 300V AC/minute

Mechanical:

Operating temperatures: Gold Plated: -55°C~+105°C
 Tin plated: -40°C~+105°C
 Soldering temperature: +260°C, 10s max.



Dual Row

Single Row

FEA	X	460	- Y	XX	X	X	A	XX
Row Option 1 Single Row 2 Dual Row		No. of Positions 02~50 04~100		Plating Option A G/F B Au3 μ " C Au5 μ " D Au10 μ " H GF/Sn120 μ " S Sn120 μ " Z Special		Insulator Material Option A BK-PBT C BK-PA6T D BK-PA46 F BK-LCP S Special		Serial No. 01~99