

REVISION DATA				
SYM	ECN	DESCRIPTION	DATE	APPROVED

NOTES:

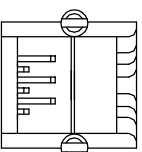
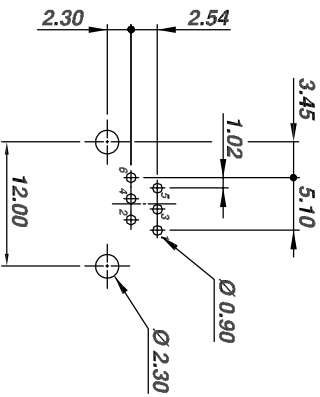
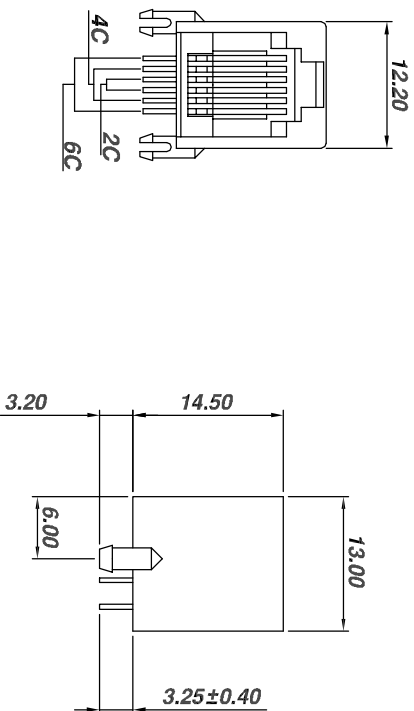
MATERIAL:

1. HOUSING MATERIAL
2. CONTACT MATERIAL

:PBT,PA66,PA46(UL 94V-0)  
:ROUND PINS-0.46mm DIAMETER PHOSPHOR BRONZE;  
:GOLD PLATING OVER NICKEL

ELECTRICAL/PHYSICAL:

1. VOLTAGE RATING : 125 VAC RMS
2. CURRENT RATING : 1.5 AMP
3. CONTACT RESISTANCE : 30 MILLIOHMS MAX2
4. INSULATION RESISTANCE : 500 MEGOHMS MIN @500V DC
5. DIELECTRIC WITHSTANDING RISTANCE : 1000V AC RMS 60Hz. 1MIN
6. DURABILITY : 750 CYCLES MIN
7. TEMPERATURE : -40°C/+85°C



PCB LAYOUT  
(Top View)

305

RJ

XX

X

X

X

031

No. of Positions  
00-99

Plating Option  
A Au/Ag  
B Au/Ag  
C Au/Ag  
D GF/50  
S Sn/20u  
Z Special

Insulator Material  
Option  
A PBT  
B PA66  
C PA6T  
D PPS  
E LCP  
G PA6T  
H PC  
Z Special

Color  
A BLACK  
B GREY  
C BEIGE  
D WHITE  
E NATURAL

Serial NO.  
001-999

Packing

1. General	✓
2. Reel	
3. Tube	
4. Tray	
5. Other	

**matconn**®

广东纳特康电子股份有限公司  
GUANGDONG NATCONN ELECTRONIC CO.,LTD

TOLERANCE:	PROJECTION	TITLE:	CUSTOMER:	CUSTOMER P/N:	REV:
ANGLE ±2°		WJ-5521-6P6C无耳单脚	N/A	N/A	N/A
X.XXX ±0.15	DATE	2024/02/20	CHECKED	莫健勇	REV:
X.XX ±0.30	DRAWN	班洪德	APPROVED	冯显东	A
X.X ±0.40	CHECKED	莫健勇	SIZE: A4	UNIT: mm	SCALE: 1:1
X. ±0.40	APPROVED	冯显东	DRAWING NO: NTC-RJXXXXX031	SHEET: 1/1	