

P

6

5

4

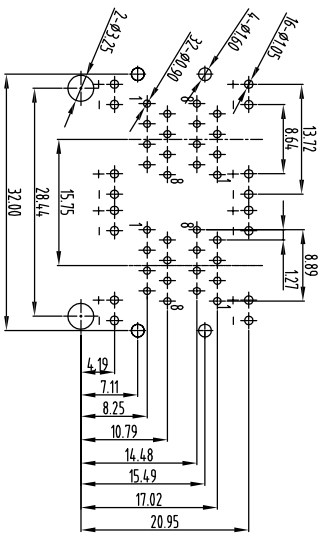
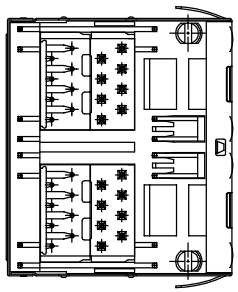
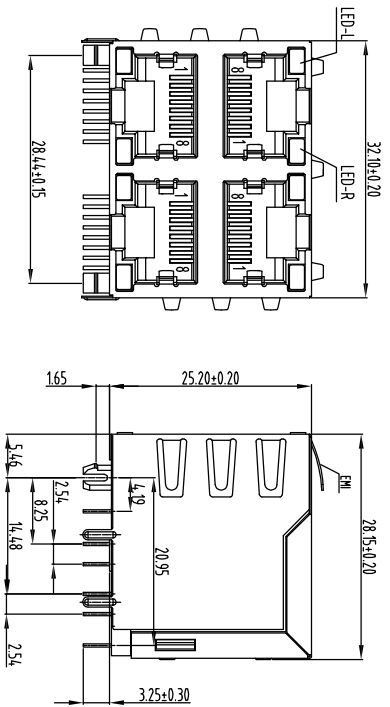
3

2

1



REVISION DATA				
SYM	ECN	DESCRIPTION	DATE	APPROVED



PCB LAYOUT/TOP VIEW

305

RJ

XX

X

X

X

065

No. of Positions
00-99

Plating Option
 A GF/
 B Au30/
 C Au10/
 D Au15/
 E GF15/
 S Sn120/
 Z Special

Insulator Material
 Option
 A PBT
 B PA66
 C PA6T
 D PA46
 E PPS
 F LCP
 G LCP
 H PC
 Z Special

Color
 A BLACK
 B GREY
 C BEIGE
 D WHITE
 E NATURAL

Serial NO.
001-999

Packing

1. General	✓
2. Reel	
3. Tube	
4. Tray	
5. Other	

natconn®

广东纳特康电子股份有限公司
GUANGDONG NATCONN ELECTRONIC CO.,LTD

TOLERANCE:

ANGLE ±2°	X.XXX ±0.15
	X.XX ±0.30
	X.X ±0.40
	X. ±0.40

PROJECTION



TITLE:

5J SERIES 2XN LED JACK

DATE	2024/06/03	CUSTOMER:	N/A	CUSTOMER P/N:	N/A	REV:	N/A
DRAWN	班洪德	PART NO.:		DRAWING NO.:	NTC-RJXX065	REV:	N/A
CHECKED	莫健勇	SIZE:	A4	UNIT:	mm	SCALE:	1:1
APPROVED	冯显东					SHEET:	1/1

- NOTES:
 MATERIAL:
 1.HOUSING :GLASS FILLED POLYESTER UL94V-0
 2.CONTACT (ROUND PIN Ø0.46mm) :PHOSPHOR BRONZE WITH GOLD PLATING OVER NICKEL.
 3.SHIELD :0.20mm THICKNESS COPPER ALLOY WITH NICKEL PLATED.
 4.LED :OPTION
- ELECTRICAL:
 1.VOLTAGE RATING :125V AC
 2.CURRENT RATING :15AMP
 3.CONTACT RESISTANCE :30 MILLIOMHS MAX.
 4.INSULATION RESISTANCE :500 MEGOHMS MIN @ 500V DC
 5.DIELECTRIC WITHSTANDING VOLTAGE :1000V AC RMS 50Hz OR 60Hz. MIN.
- MECHANICAL:
 1.INJECTION FORCE :22kg MAX.
 2.RETENTION STRENGTH :71kg BETWEEN JACK AND PLUG
 3.DURABILITY :750 CYCLES MIN.
- ENVIRONMENTAL:
 1.STORAGE : -40°C~+85°C
 2.OPERATION : -40°C TO 85°C
- THE MART'S MODULAR PLUG CONFORMING TO FCC PART168
 PART NUMBER

A

B

C

D

A

B

C

D

6

5

4

3

2

1