

CUSTOMER COPY



REVISION DATA				
SYM	ECN	DESCRIPTION	DATE	APPROVED

NOTES:

ELECTRICAL:

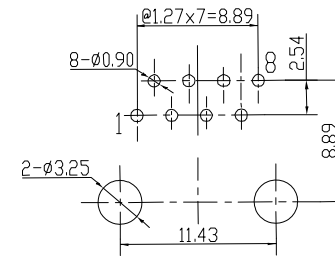
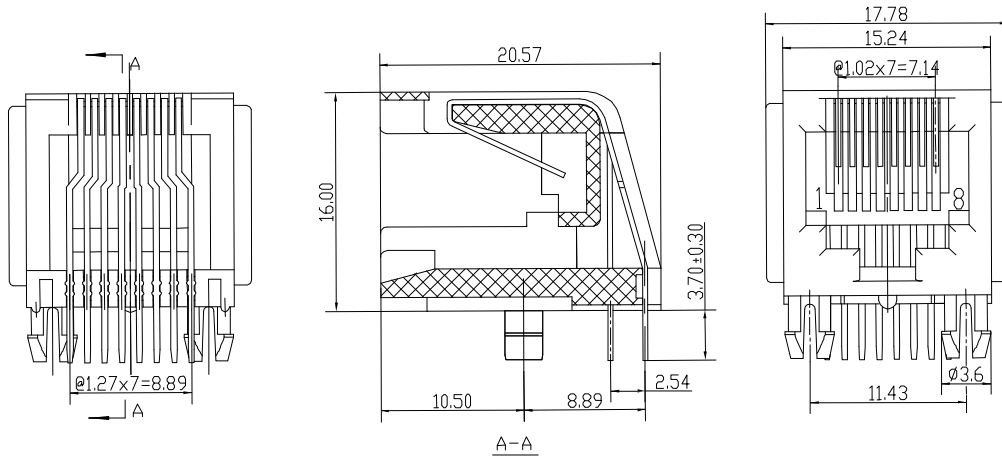
- VOLTAGE RATING : 125 VAC RMS.
- CURRENT RATING : 1.5 AMP.
- CONTACT RESISTANCE : 45 MILLIOHMS MAX.
- INSULATION RESISTANCE : 1000 MEGOHMS MIN @ 500 VDC.
- DIELECTRIC STRENGTH : 1000 V AC OR 1500V DC RMS @ 0.5mA 50 Hz / 60 Hz 1 Minute

MECHANICAL:

- HOUSING MATERIAL : SEE TABLE UL94V-0.
- CONTACT MATERIAL : PHOSPHOR BRONZE T=0.35mm.
- PLATING : 1: CONTACT AREA- SELECTIVE GOLD PLATING.
2: TAILS PLATING TIN OVER NICKEL.
- MATING/UNMATING FORCE : 22N/2.27kg Max..
- RETENTION STRENGTH : 57.83N Min. .
- OPERATING LIFE : 750 CYCLES MIN.

ENVIRONMENTAL:

- STORAGE : -10°C~+40°C RELATIVE HUMIDITY<80%
 - OPERATION : -40°C~+85°C
- MATES WITH MODULAR PLUG CONFORMING TO



RJ	08	-	XX	X	X	-	73
Contacts:		Contact Plating	Layer	Housing Colour	Glide No		
		02 Gold Flash 04 Gold3 μ " 05 Gold5 μ " 06 Gold10 μ " 07 Gold30 μ " 08 Others	L LCP	B Black G Gray	01~999		

natconn® 广东纳特康电子股份有限公司
 GUANGDONG NATCONN ELECTRONIC CO.,LTD

TOLERANCE:	PROJECTION		TITLE: RJ45 1*1 8P EAR SPLIT PEG PCB JACK		
ANGLE ±2°	DATE	2013/05/25			
X.XXX ±0.05	DRAWN	唐建平	CUSTOMER: N/A	CUSTOMER P/N: N/A	REV: N/A
X.XX ±0.20	CHECKED	雷邦军	PART NO.:	DRAWING NO.: RJ08-XXXX-73	REV: A
X.X ±0.30	APPROVED	冯显东	SIZE: A4	UNIT: mm	SCALE: 1:1
X. ±0.50					SHEET: 1/1