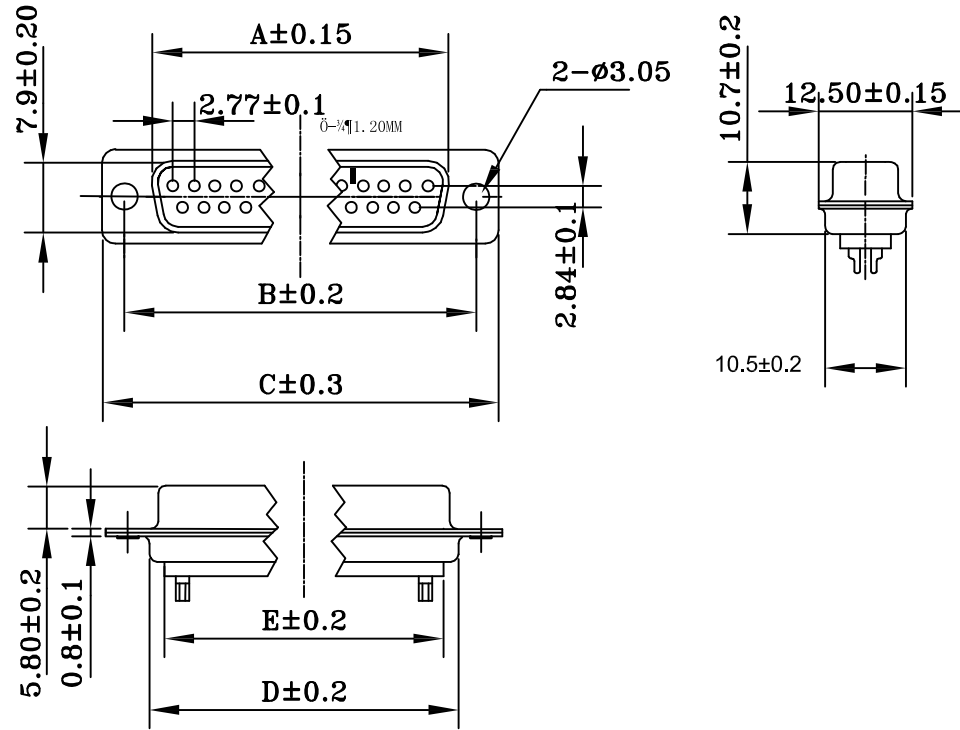


CUSTOMER COPY



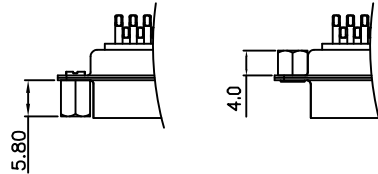
REVISION DATA

SYM	ECN	DESCRIPTION	DATE	APPROVED



NOTES:
 INSULATION RESISTANCE (MIN.): 1000MΩ
 CURRENT RATING (MAX.): 3amp AC/ 5amp DC
 WITHSTANDING VOLTAGE (MAX): 500VAC
 CONTACT RESISTANCE (MAX.) 30mΩ
 OPERATING TEMPERATURE: -55° ~ +105°
 MATERIAL:
 CONTACT: BRASS C2680
 INSULATION: PBT+G. F UL94-V0
 SHELL: SPCC
 FINISH:
 CONTACT: NICKEL AND TIN & AU PLATED
 SHELL: NICKEL AND TIN PLATED

1、加前侧不通孔 2、加后侧通孔



D	F	D	XX	-	X	X	X	-	48
Pin NO		Contact Plating		Shell Plating		Housing Colour		Serial NO	
09	9Pin	A	G/F	A	G/F	0	Black	00-99	
15	15Pin	C	AU5U"	D	AU10U"	3	Yellow		
26	26Pin	D	AU10U"	E	AU15U"	5	Green		
37	37Pin	E	AU15U"	F	AU30U"	6	Blue		
		F	AU30U"	H	GF/Sn120U"	Z	Special		
		H	GF/Sn120U"	N	Nickel				
		S	Sn120u"	S	Sn120u"				
		Z	Special	Z	Special				

POS.	A	B	C	D	E
09	16.33	24.99	30.81	19.00	15.60
15	24.66	33.32	39.14	27.65	24.60
25	38.32	47.04	53.04	41.03	38.00
37	54.84	63.50	69.32	57.44	54.50

natconn® 广东纳特康电子股份有限公司
 GUANGDONG NATCONN ELECTRONIC CO.,LTD

TOLERANCE:	PROJECTION		TITLE: D-sub Solder Type Connector Female		
ANGLE ±2°	DATE	2014/06/18	CUSTOMER: N/A		
X.XXX ±0.05	DRAWN	唐建平	CUSTOMER P/N:	N/A	REV: N/A
X.XX ±0.20	CHECKED	雷邦军	PART NO.:	DFDXXX-XXX-48	REV:
X.X ±0.30	APPROVED	冯显东	SIZE:	A4	UNIT: mm
X. ±0.50			SCALE:	1:1	SHEET: 1/1