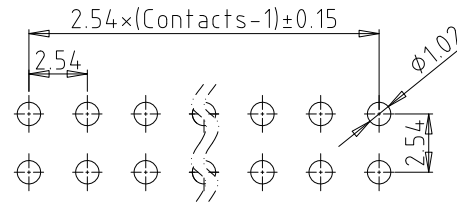
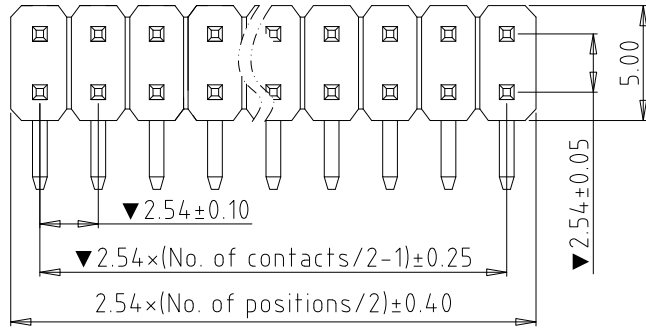


CUSTOMER COPY

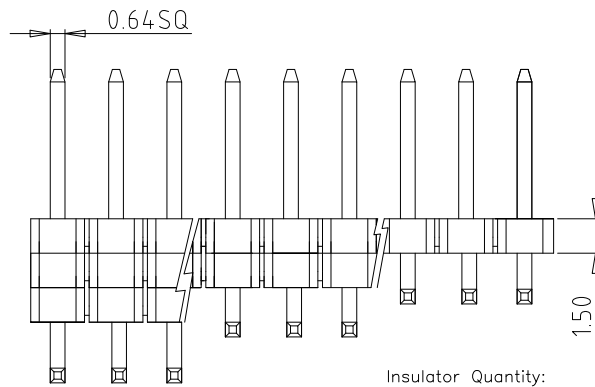
RoHS compliant

REVISION DATA				
SYM	ECN	DESCRIPTION	DATE	APPROVED



Recommended P.C.B. Layout (±0.05)

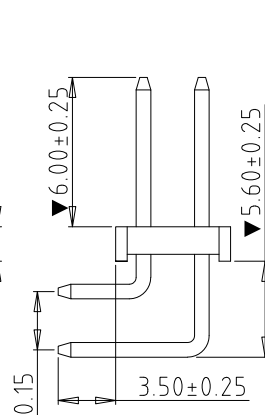
Technical Data
 Contact: brass JIS C2700(Cuzn35)
 Contact plating: see ordering information
 Insulator: black glass filled polyester UL94V-0
 Current rating: 3Amps
 Contact resistance: 20mΩ max.
 Insulation resistance: 1000MΩ min. at 100V
 Withstanding Voltage: 550V AC/minute
 Retention force: 0.5Kgf/contact per layer min.
 Operating temperature: -55°C to +105°C
 -55°C to +125°C
 Soldering temperature: 245°C ± 5° 5S
 Critical Dimensions: ▼



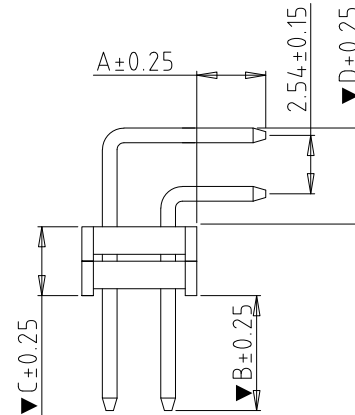
Insulator Quantity: 3PCS

Insulator Quantity: 2PCS

Insulator Quantity: 1PC



Insulator Quantity: 1PC
R1 type



Insulator Quantity: 2PCS
R2 type

Ordering information

QHB2	15	X - P	XX	X	X	X	08
------	----	-------	----	---	---	---	----

High Option 15: H=1.50mm	Insulator Quantity 1 1PC 2 2PCS 3 3PCS ...	No. of Positions 02-80	Plating Option A G/F B Au3μ" C Au5μ" D Au10μ" H GF/Sn120μ" S Sn120μ" Z Special (Underline option is standard)	Insulator Material Option A BK-PBT B BK-PA6T C BK-LCP G BK-PA9T S Special (Underline option is standard)	Type Option A R1 type B R2 type	Serial No. See table (Other sizes available contact natconn)
-----------------------------	--	---------------------------	---	--	---------------------------------------	--

natconn® 广东纳特康电子股份有限公司
 GUANGDONG NATCONN ELECTRONIC CO.,LTD

Packing 1.General ✓ 2.Tape&Reel 3.Tube 4.Tray 5.Other	TOLERANCE:	PROJECTION	TITLE: Pitch2.54*H1.50mm Pin Header Dual Row Right Angle Type		
	ANGLE ±2°	DATE	2013/01/01	CUSTOMER:	N/A
	X.XXX ±0.05	DRAWN	王伟超	CUSTOMER P/N:	N/A
	X.XX ±0.15	CHECKED	唐建平	DRAWING NO.:	QHB215XPX08
	X.X ±0.25	APPROVED	冯显东	REV:	A
X. ±0.50	SIZE: A4	UNIT: mm	SCALE: 1:1	SHEET: 1/1	