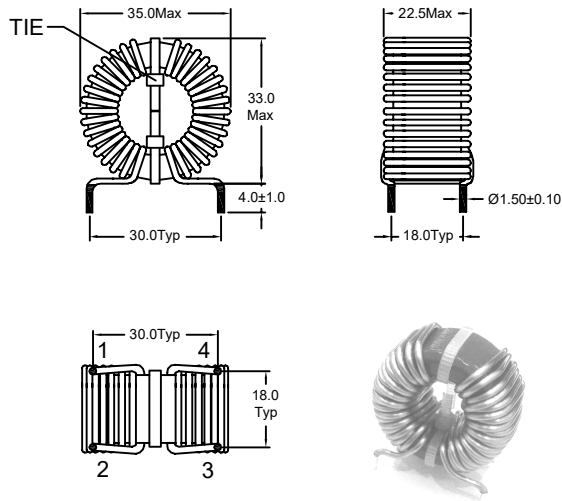
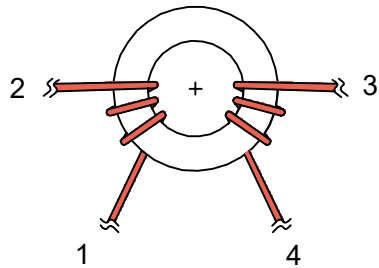


Outline Dimensions(Unit:mm)

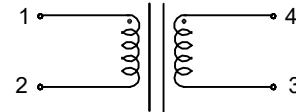


Winding Construction:



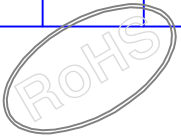
REV	DESCRIPTION	APPD	DATE

Electronical Schematic



Electrical Characteristics

Inductance: L=4.0 mH Min, at 1KHz 1V.
 Rated current: 14.5Amps .
 D.C.Resistance: R= 13.0 mohms Max.
 Hi-Pot : Pri-Sec 2000VAC/1mA/5Second.
 Turns Ratio: 1 : 1 ±2%
 Core: Ferrite ring.
 Wire: 2UEW-F/155°C.
 Tie: 3*100mm/NY66(非标宽度1.8mm).
 Weight: ≈ 56g.



TOLERANCE LEVEL		天市长富安电子有限公司 Tianchang Fuan Electronic Co.,Ltd				
X.	—	DWN: Yuing.yu	TITLE: Common Mode Choke			
.X	±0.50		FuAn P/N: FACM29-42Y14R5			
.XX	±0.25		Custorme P/N: P5317			
.XXX	—		Sheet File No. Rev No. Date			
		CHKD: Benson.zhan	1/1	1907055	1.0	July,13/2019
		APPD: Anson.zhan				