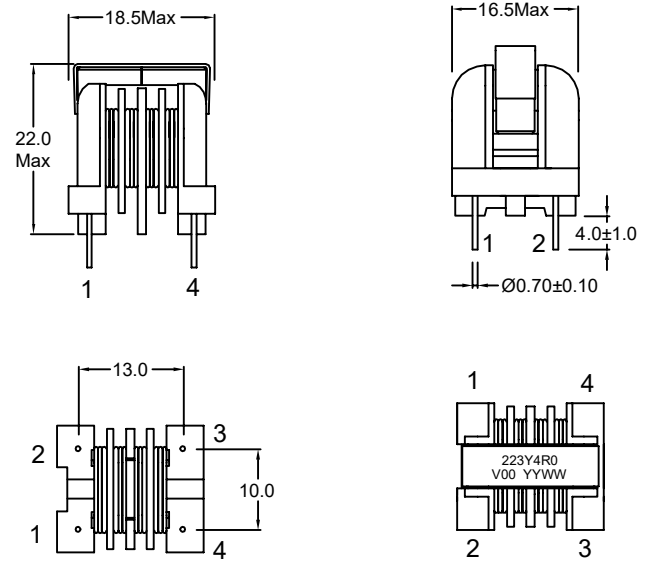


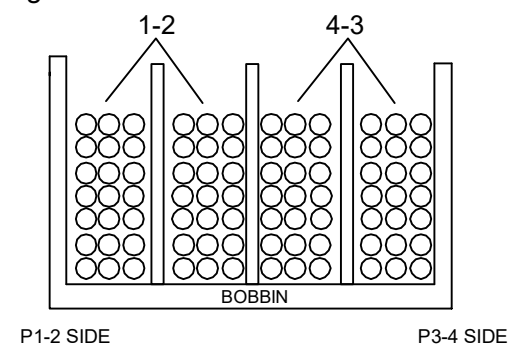
REV	DESCRIPTION	APPD	DATE

Outline Dimensions(Unit:mm)

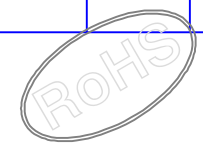
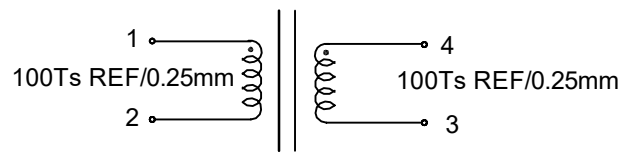


Marking: 喷码或透明底标签。

Winding Construction:



Electrical Schematic



Electrical Characteristics

Inductance : L1-2&4-3: 22.0mH Min @10KHz 1V
 Rated current: 0.40A.
 D.C.Resistance : 1-2&4-3 1.40 ohms Max.
 Hi-Pot : Coil-Coil-Core : 2000VAC/2mA/1Second
 Bobbin: UU10.5-4 槽/T375J.
 core: UU10.5-H10K
 wire: 2UEW-F.
 Clip: UU10.5/SUS301.
 Varnish: T4240GK.

TOLERANCE	LEVEL	天市长富安电子有限公司 Tianchang Fuan Electronic Co.,Ltd			
X.	—	DWN: Yuing.yu	TITLE: Common Mode Choke		
.X	±0.50		FuAn P/N: FAPL10VH223Y0R4V00		
.XX	±0.25	CHKD: Benson.zhan	Customr P/N:		
.XXX	—		APPD: Anson.zhan		
		Sheet	File No.	Rev No.	Date
		1/1	1907122	1.0	July./31/2019

1
2
3
4
5
6

A

B

C


D

E

F

List of UL Certificate:

No.	Part Name	Mat'l Description	Supplier	UL Number
1	Bobbin	UU-1055/T375J	Chang Chun Plastics Co.,Ltd	E59481
2	Copper Wire	2UEW-F /155C	Jiangsu Dartong M & E Co.,Ltd	E237377
3	Core	UU10.5-H10K	SuZhou GuanDa Magnet Co.,Ltd	N/A
4	Clamp	UU10.5/SUS301	Hengsheng Hardware Electronic Factory	N/A
5	Varnish	T4260GK	WuJiang Taihu Insulating Material Co.,Ltd	E228349
6				
7				
8				
9				

TOLERANCE LEVEL		 天长市富安电子有限公司 Tianchang Fuan Electronic Co.,Ltd				
X.	—	DWN: Yuing.yu	TITLE: Common Mode Choke			
.X	±0.50		FuAn P/N: FAPL10VH223Y0R4V00			
.XX	±0.25		Custorme P/N:			
.XXX	—		CHKD: Benson.zhan			
		APPD: Anson.zhan	Sheet 2/2	File No. 1907122	Rev No. 1.0	Date July./31/2019

No.286 RenMin East Road,Renheji Town,Tianchang city,Anhui province,China
 TEL: :+86-550-7814888/7811988 FAX:+86-550-7831133
 www.fuantronics.net