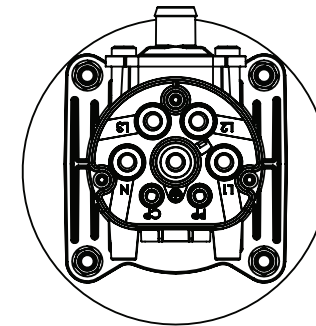
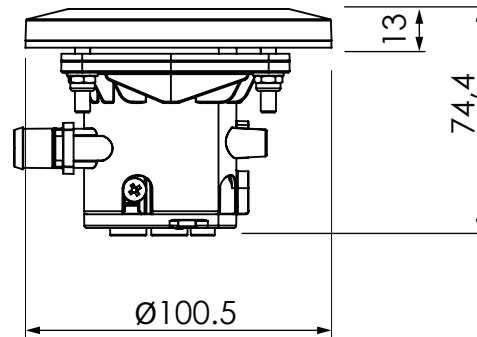
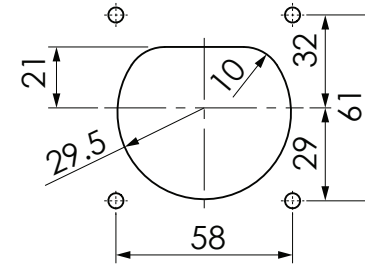


Mounting info



EVP32-31  
EVP32-16

Part nr.	Description	Material
1	Cap	PA GF
2	Sealing pad	EPDM
3	Power housing	PA V0
4	Bottom plate	PA V0

EV OUTLET

P/N 32100

Date: 15-07-2015



www.ratio-electric.com