

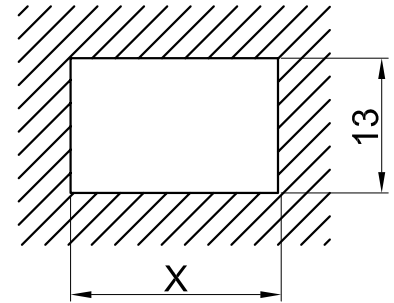
PC LAYOUT

SPECIFICATION

1. RATING:UL C-UL:10A 125VAC
ENEC SEMKO:
6(2)A 250VAC T125/55 1E4
2. CIRCUIT:ON-OFF SPST 2P
3. CONTACT RESISTANCE:30m OHMS Max
4. INSULATION RESISTANCE:DC500V 100M OHMS Min
5. WITHSTAND VOLTAGE:AC 1500V 1 Minute
6. ELECTRICAL LIFE:10000 Cycles at Full Load
7. OPERATION PORCE:300~800gf
8. OPERATION TEMPERATURE RANGE:-25~+125° C


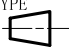

PANEL HOLE SIZE

Panel thickness	X
0.75-1.25	19.2
1.25-2.0	19.4
2.0-3.0	19.6



MATERIALS

1. HOUSING:Nylon #66 UL 94V-2
2. ROCKER:Nylon #66 UL 94V-2
3. TERMINAL:Copper Alloy Ag plated
4. CONTACTOR:AgSnO₂In₂O₃(10)/Cu

 興瀚企業股份有限公司 Salecom. Electronics Co., Ltd.						JS-606A-P1 TITLE: ROCKER SWITCH SERIES: RL3 FUNCTION: ON-OFF	
设计	签名	年月日	标准化	签名	年月日	VIEWS TYPE  	
绘图	符辉	13.03.25					
审核	张雪飞						
工艺			批准				