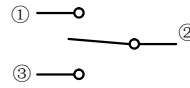


CIRCUIT DIAGRAM

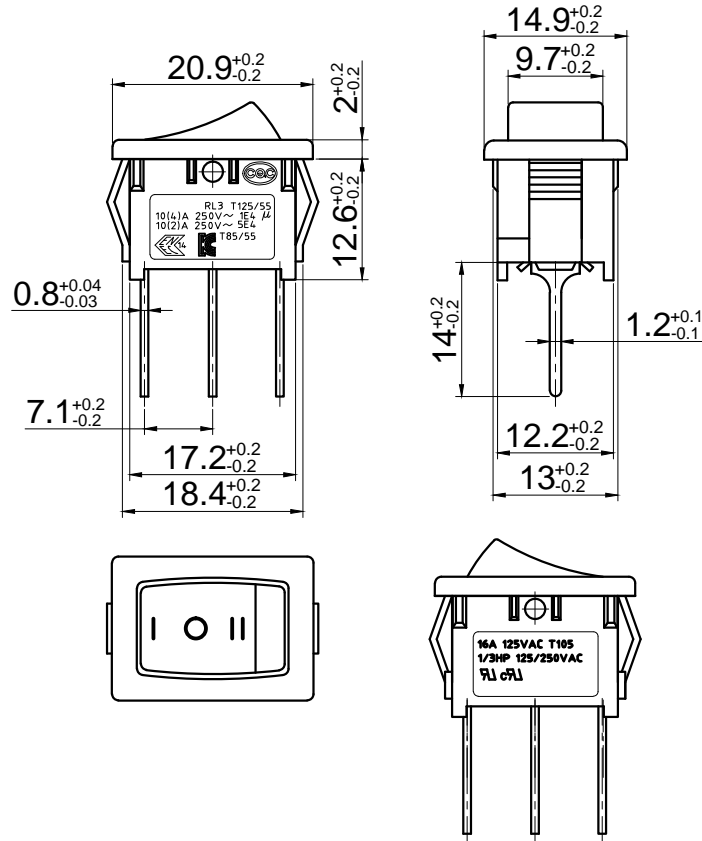
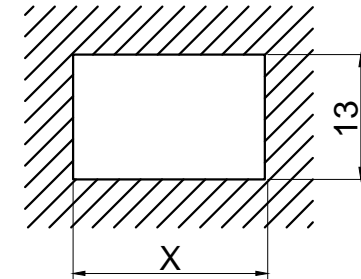


# SPECIFICATION

- RATING: UL C-UL:16A 125VAC  
ENEC SEMKO:  
10(4)A 250VAC T125/55 1E4  
10(2)A 250VAC T85/55 5E4
- CIRCUIT: ON-OFF-ON SPDT 3P
- CONTACT RESISTANCE: 30m OHMS Max
- INSULATION RESISTANCE: DC500V 100M OHMS Min
- WITHSTAND VOLTAGE: AC 1500V 1 Minute
- ELECTRICAL LIFE: 50000 Cycles at Full Load
- OPERATION FORCE: 300~800gf
- OPERATION TEMPERATURE RANGE: -25~+125° C

# PANEL HOLE SIZE

Panel thickness	X
0.75-1.25	19.2
1.25-2.0	19.4
2.0-3.0	19.6



# MATERIALS

- HOUSING: Nylon #66 UL 94V-2
- ROCKER: Nylon #66 UL 94V-2
- TERMINAL: Copper Alloy Ag plated
- CONTACTOR: AgSnO<sub>2</sub>In<sub>2</sub>O<sub>3</sub> (10) /Cu

興瀚企業股份有限公司 Salecom. Electronics Co., Ltd.						JS-606C-PCBB/B-6T(RL)	
						TITLE	SERIES
设计	签名	年月日	标准化	签名	年月日	ROCKER SWITCH	RL3
绘图	符辉	21.12.10					FUNCTION
审核	张雪飞					VIEWS TYPE	DRAWING NUMBER
工艺			批准				