

DIGITAL COLOR MINIATURE CAMERA

SCS530P2R

▶ CAUTION

- Do not open or strike this equipment. Sensitive electronics inside are vulnerable to excessive shock.
- Do not install the equipment near any naked flames or heat sources. Excessive heat could damage this unit.
- Do not cover cloth or to install this unit in poorly ventilated places. This may lead to overheating.
- Do not continue to operate if there appears to be fault.
If the unit ceases to function, contact qualified service personnel for help.
- Do not touch the power connection with wet hands. Risk of short circuit or electric shock.
- Do not damage the power cord or leave it under pressure. Risk of fire or shock circuit.



FEATURE

1/3" COLOR SONY SUPER HAD NORMAL RESOLUTION (30×30)

420TVL

Minimum Illumination : 0.1Lux (F:1.2)

Auto White Balance

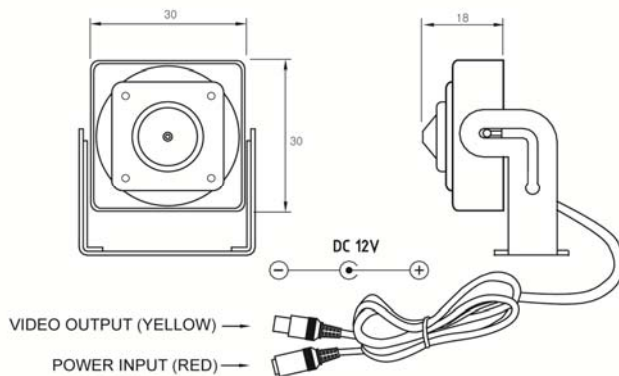
Automatic Gain Control

Dimension(mm) : 30 × 30

Power Source : DC12V (±10%)

Standard 500mm, RCA/DC Jack

Super Cone Pinhole Lens Type



SPECIFICATION	SCS530P2R (NTSC)	SCS530P2R (PAL)
Image Device	1/3" Color SONY Super HAD CCD	
Option	1/3" Color SONY Exview CCD	
Picture Elements	510(H)×492(V)	500(H)×582(V)
Scanning System	525 Lines, 2:1 Interlace	625 Lines, 2:1 Interlace
Sync System	Internal Synchronization	
Horizontal Resolution	420 TVL	
Video Output	1Vp-p 75Ω	1Vp-p 75Ω
S/N Ratio	More Than 50dB (AGC Off)	More Than 50dB (AGC Off)
Gamma Characteristic	0,45	0,45
Gain Control	4dB - 30dB Auto	4dB - 30dB Auto
White Balance	Auto 2100°K - 9100°K (Push Lock)	Auto 2100°K - 9100°K (Push Lock)
Electronic Shutter	1/60-1/100,000sec (Auto)	1/50-1/100,000sec (Auto)
LENS	3.7mm (super cone)	3.7mm (super cone)
Lens Option	4.3mm, 5mm	4.3mm, 5mm
Smear Effect	0,005%	0,005%
Minimum Illumination	0.1Lux (F:1.2)	0.1Lux (F:1.2)
Power Consumption	12V ±10% DC, 110mA	12V ±10% DC, 110mA
Operation Temperature	-10°C - +50°C, RH95% Max (14°F-122°F)	-10°C - +50°C, RH95% Max (14°F-122°F)
Storage Temperature	-20°C - +60°C, RH95% Max	-20°C - +60°C, RH95% Max
Weight	Approx g	Approx g
Housing	ZINC	ZINC
Dimension(mm)	30 × 30	30 × 30
Cable(option)	Standard 500mm RCA/DC Jack	Standard 500mm RCA/DC Jack