

C2B-M4E□□□

Color

- B: Black
- G: Green
- R: Red
- S: Blue
- W: White
- Y: Yellow

Contact

- 10: 1NO
- 20: 2NO
- 01: 1NC
- 02: 2NC
- 11: 1NO+1NC

- E: Standard
- M4: Momentary Mushroom
- C2B: Pushbotton Switch

Product Specifications

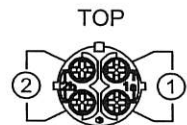
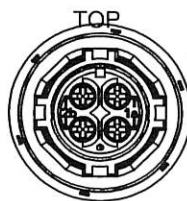
Mechanical life	: >5 million operations
Electrical life	: >0.25 million operations
Rated insulation voltage	: 300V
Rated thermal current	: 5A
Insulation resistance	: 100MΩ
Dielectric strength	: 2000V AC ,1 minute
Panel thickness	: 0.8mm ~ 12mm
Degree of protection	: IP 66
Storage temperature	: -40°C to +85°C
Operating temperature	: -25°C to +55°C

Contact Ratings (B300)

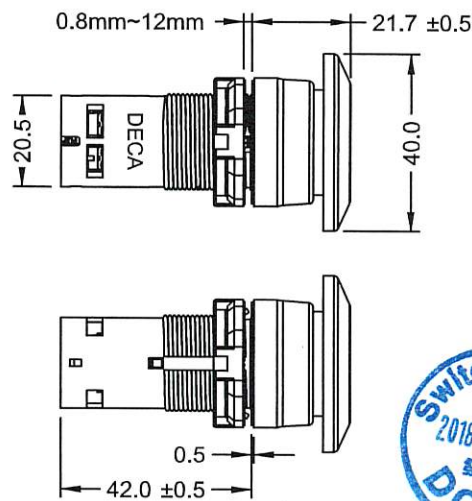
Rated Insulation Voltage (Ui)		300V			
Rated Thermal Current (Ith)		5A			
Rate Operational Voltage (Ue)		12V	30V	125V	250V
AC 50/60HZ	Resistive Load (AC-12) (Ie)	5A	5A	4A	2A
	Inductive Load (AC-15) (Ie)	5A	5A	3A	1.5A
DC	Resistive Load (DC-12) (Ie)	1A	1A	0.3A	0.16A
	Inductive Load (DC-13) (Ie)	1A	1A	0.22A	0.11A

Contact Block Mounting Position

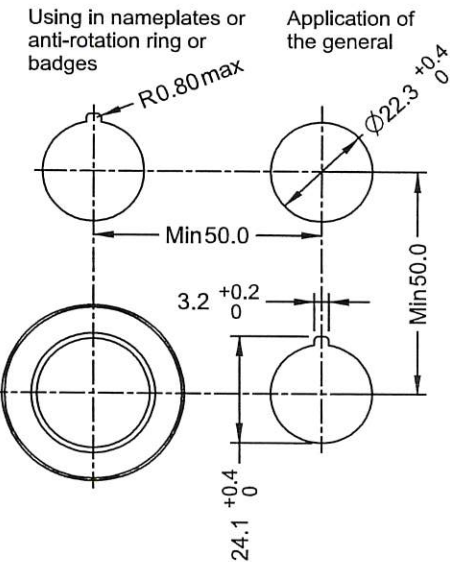
Configuration	mounting	position	Operator Position	
			Free	Push
10	①	NO		●
	②	—		
20	①	NO		●
	②	NO		●
01	①	NC	●	
	②	—		
02	①	NC	●	
	②	NC	●	
11	①	NO		●
	②	NC	●	




Pushbotton Switches



Hole Dia



DECA SwitchLab Inc.			PART NAME	UNIT	SCALE
			C2 Pushbotton Switches	MM	0.6 : 1
DESIGN	CHECK	APPROVE	DRAWING NO.		SHEET
DATE 2018/3/28	DATE 2018/3/28	DATE 2018/3/28	C2B-M4Exxx		1 / 1

A
REV.