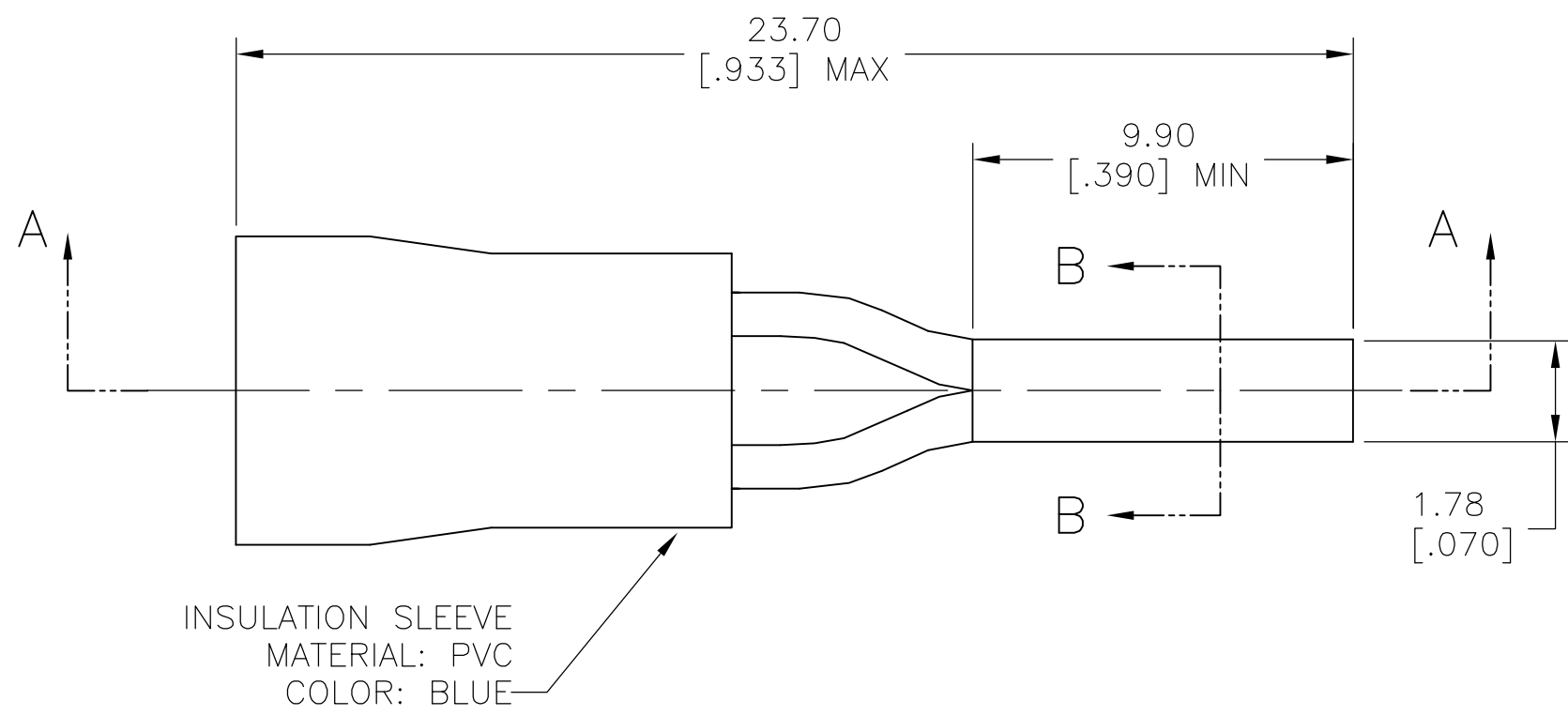
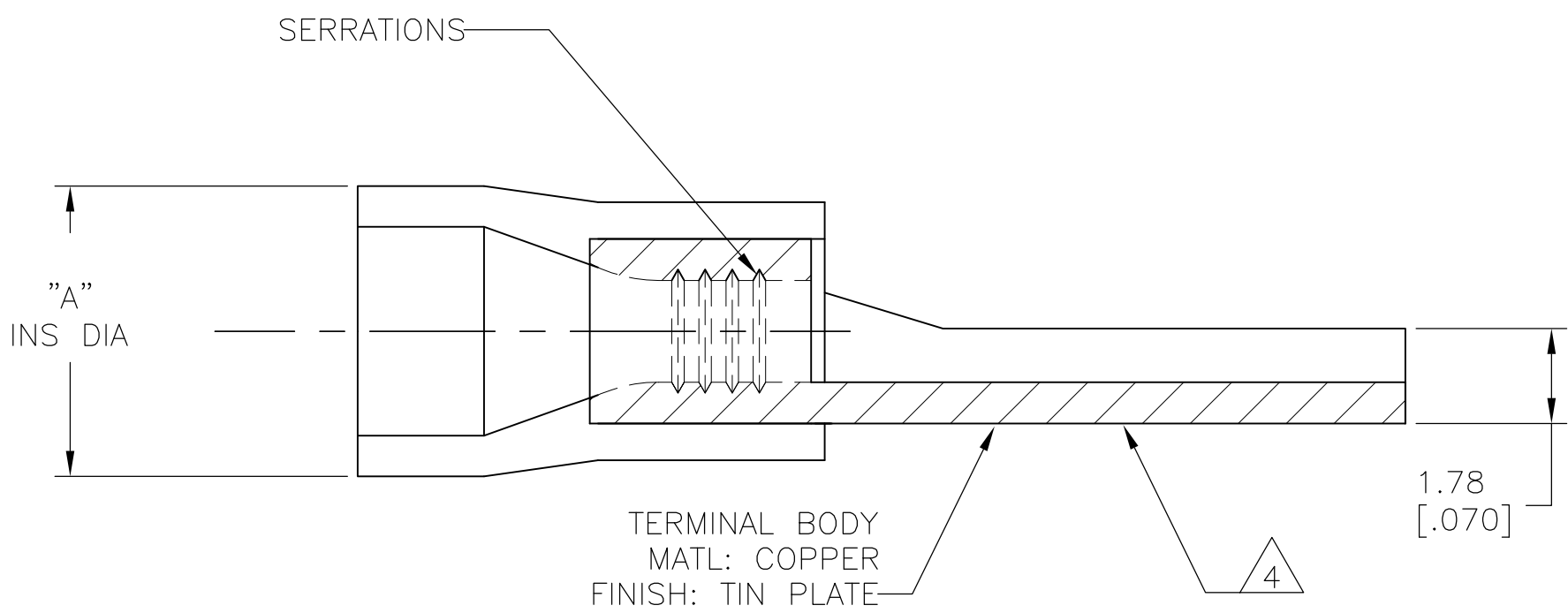


THIS DRAWING IS UNPUBLISHED. RELEASED FOR PUBLICATION
 © COPYRIGHT - By - ALL RIGHTS RESERVED.

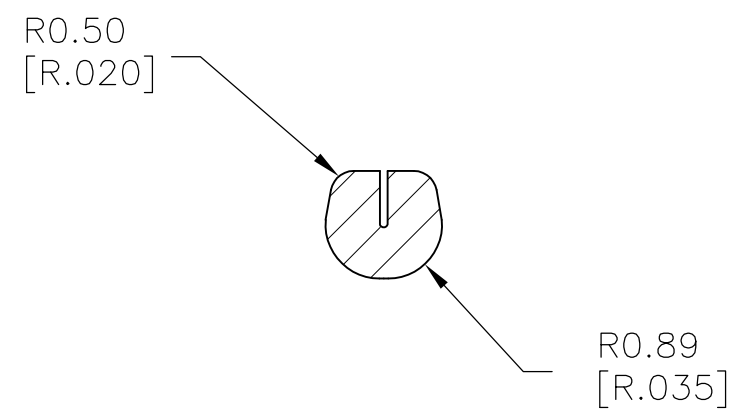
LOC	DIST	REVISIONS			
P	LTR	DESCRIPTION	DATE	DWN	APVD
G	14				
	G2	REVISED PER ECO-14-003208	17MAR2014	NK	DR



INSULATION SLEEVE
 MATERIAL: PVC
 COLOR: BLUE



SECTION A-A



SECTION B-B

- 1 WIRE SIZE IS #16-#14 AWG
- 2 SUPERSEDED BY 165171
- 3 OBSOLETE - NO REPLACEMENT
- 4 STAMP AMP 16-14* APPROX AS SHOWN
- 5 MAX RECOMMENDED OPERATING TEMPERATURE 105°C[221°F]

.115-.170	---	165171-1	2
.115-.190	2-165171-0	165171	3
INSUL DIA RANGE. "A"	P/N ON TAPE	PART NO.	

AMP WIRE RANGE	FILE E13288
16-14 AWG STRANDED	16-14 AWG STRANDED

1000	LOOSE PIECE	165171
QTY	PACKAGE TYPE	PART NO

THIS DRAWING IS A CONTROLLED DOCUMENT.		DWN	jr ruth	31MAY07	TE TE Connectivity						
DIMENSIONS: mm [INCHES]		CHK	T MICHIELUTTI	31MAY07							
TOLERANCES UNLESS OTHERWISE SPECIFIED:		APVD	T MICHIELUTTI	31MAY07							
0 PLC ± - 1 PLC ± - 2 PLC ± - 3 PLC ± 0.25[.010] 4 PLC ± - ANGLES ± 1°		NAME									
MATERIAL	FINISH	PRODUCT SPEC	APPLICATION SPEC		SIZE	CAGE CODE	DRAWING NO	RESTRICTED TO			
-	-	-	-		A2	00779	C=165171	-			
CUSTOMER DRAWING				WEIGHT	-	SCALE	8:1	SHEET	1 of 1	REV	G2