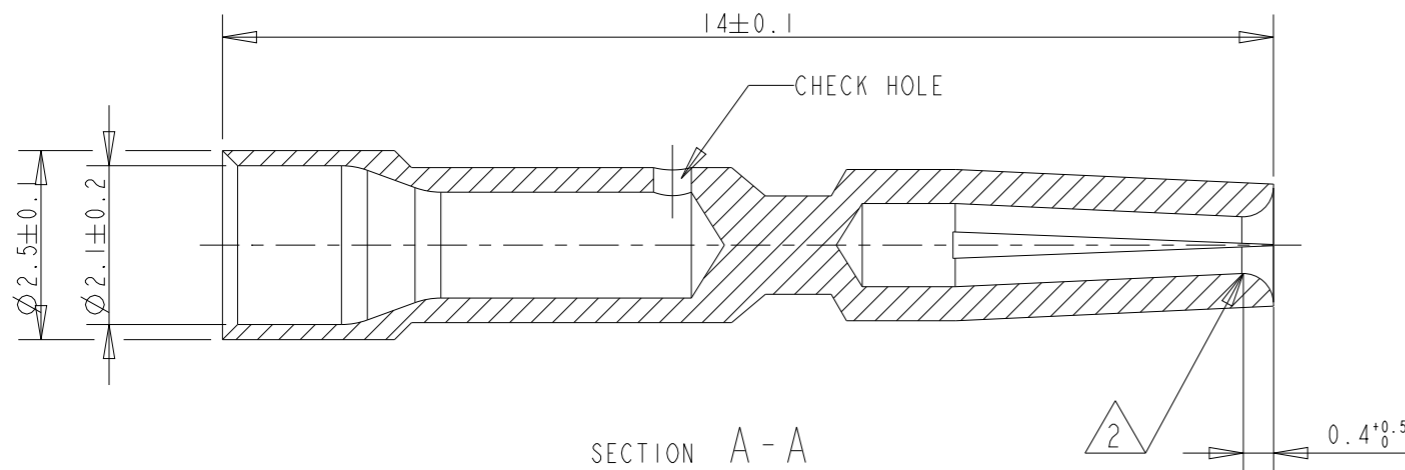
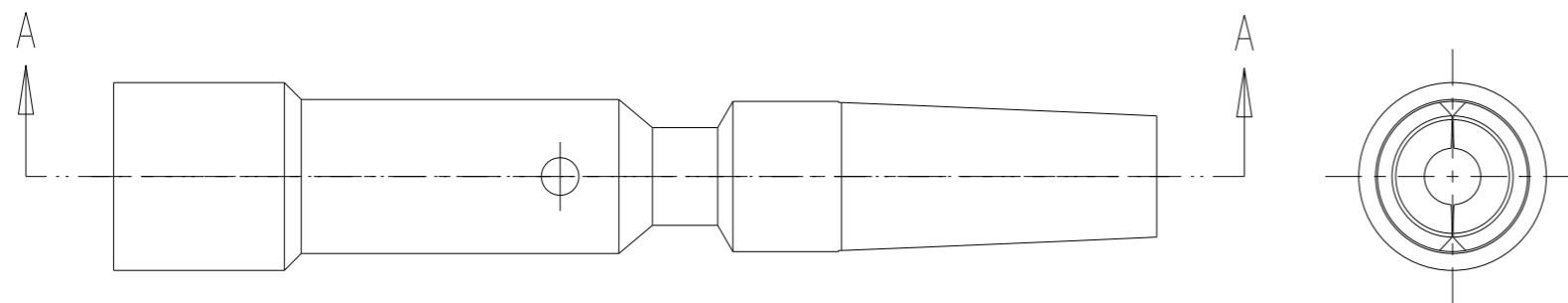
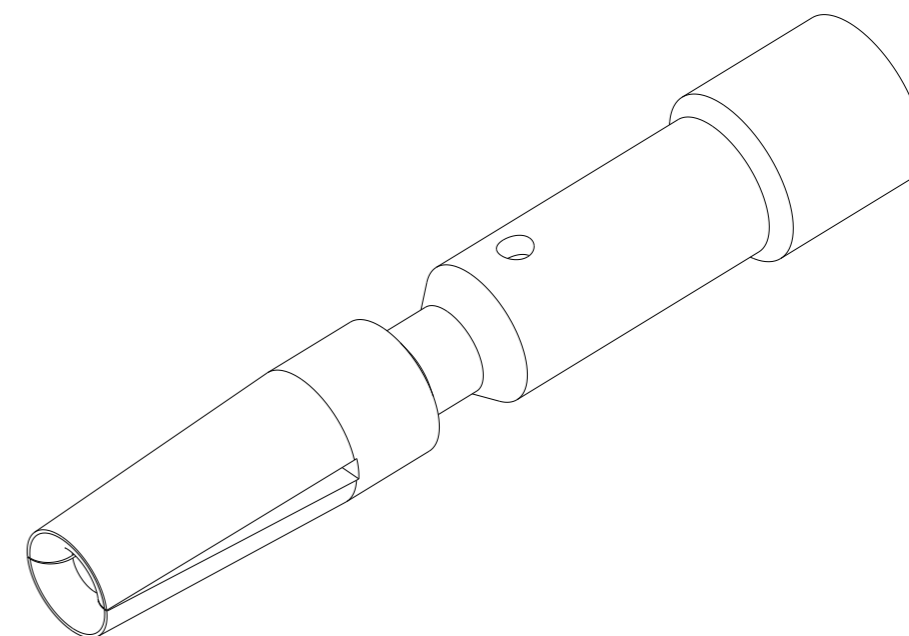
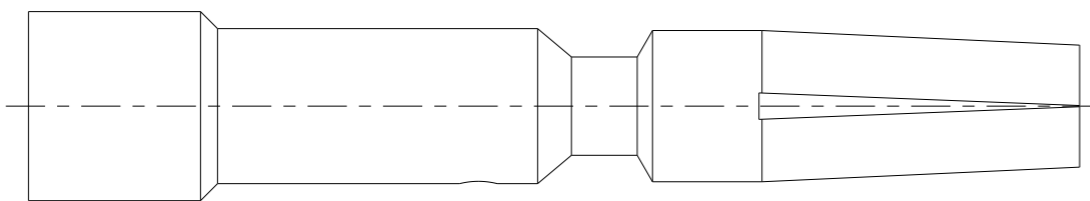


P	LTR	DESCRIPTION	DATE	DWN	APVD
	A	NEW RELEASED	28JUL2020	GK	OD



NOTES:

- 1 MATERIAL: COPPER-ZINC LEAD ALLOY  
FINISH: f1Cu+Ni2Au0.2µm PASSIVATED
- 2 PLATING THICKNESS MEASUREMENT POINT



0.14 - 1.0 mm <sup>2</sup>	1	60.011.11	60-0011-011-000
CRIMPING RANGE	WEIGHT (g) REF	INTERCONTEC P/N	TE P/N

THIS DRAWING IS A CONTROLLED DOCUMENT.

DIMENSIONS: mm	TOLERANCES UNLESS OTHERWISE SPECIFIED:
	0 PLC ±-
	1 PLC ±-
	2 PLC ±-
	3 PLC ±-
	4 PLC ±-
	ANGLES ±° 30'
MATERIAL	FINISH

DWN	28JUL2020
CHK	28JUL2020
APVD	28JUL2020
PRODUCT SPEC	-
APPLICATION SPEC	-
WEIGHT	SEE TABLE
CUSTOMER DRAWING	



NAME: CONTACT SOCKET 1 MM, CRIMPING RANGE 0.14 - 1.0 MM<sup>2</sup>, SLOTTED

SIZE	CAGE CODE	DRAWING NO	RESTRICTED TO
A3	00779	60-0011-011-000	-
SCALE 10:1		SHEET 1 OF 1	REV A