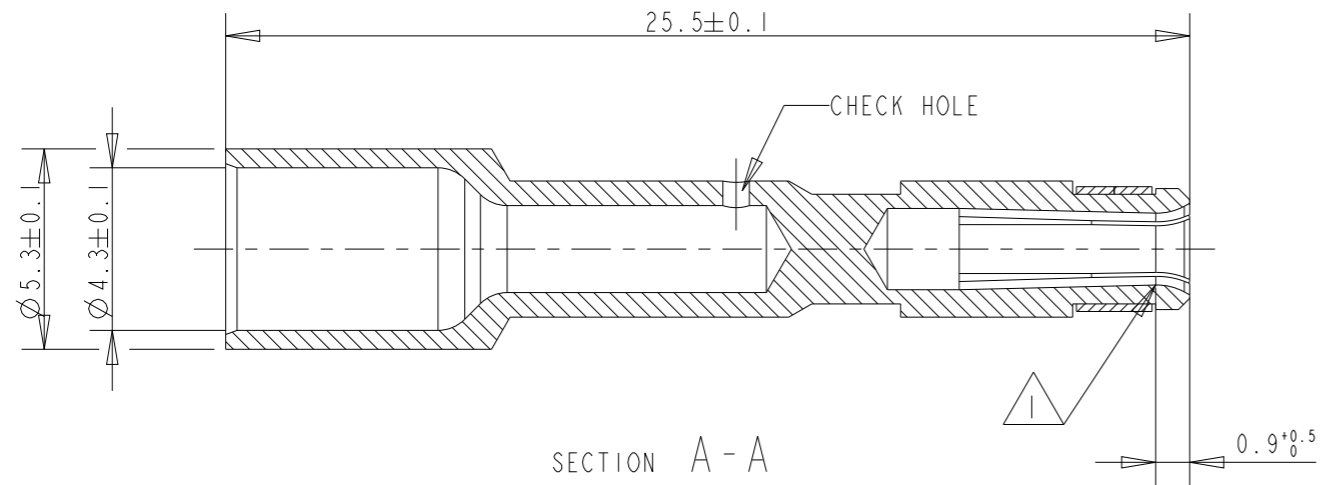


P	LTR	DESCRIPTION	DATE	DWN	APVD
	A	NEW RELEASED	17JUL2020	GK	OD



NOTES:

PLATING THICKNESS MEASUREMENT POINT

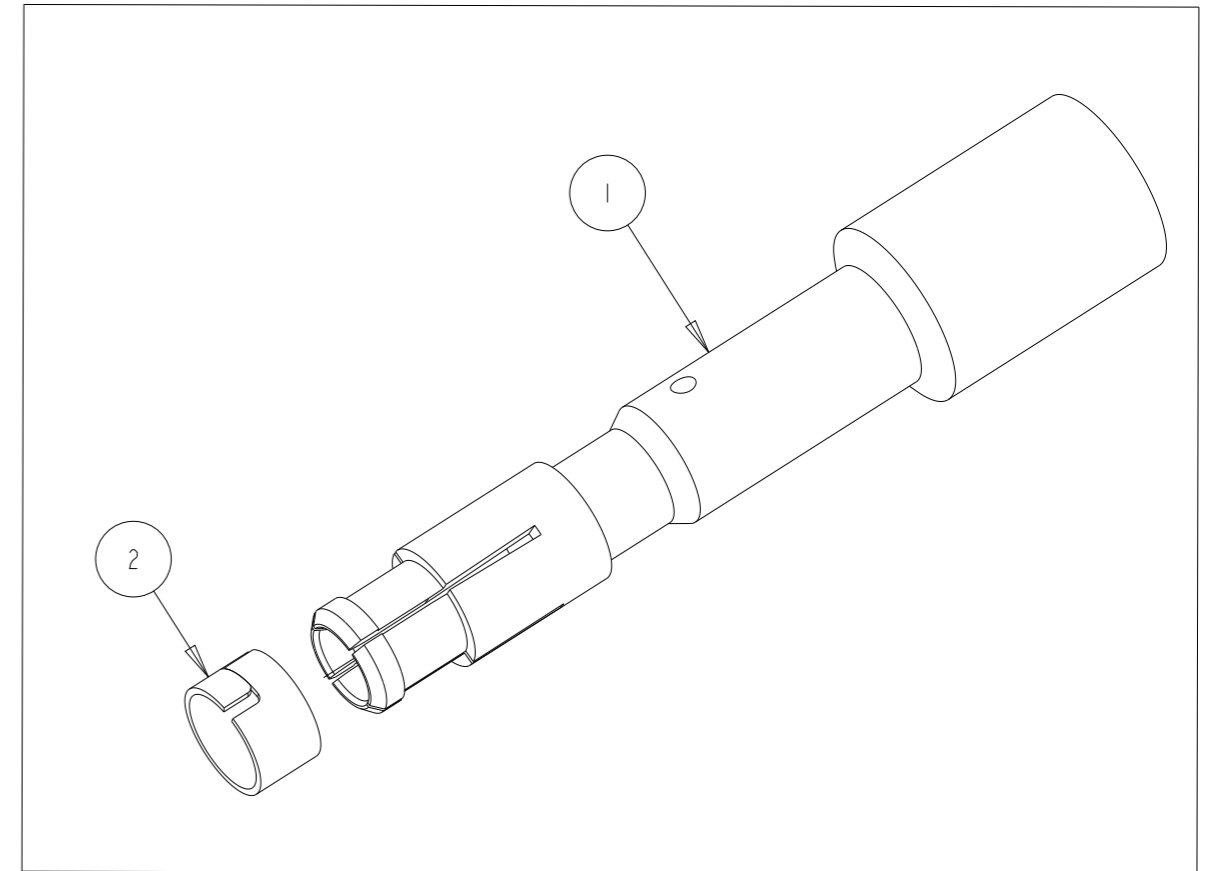
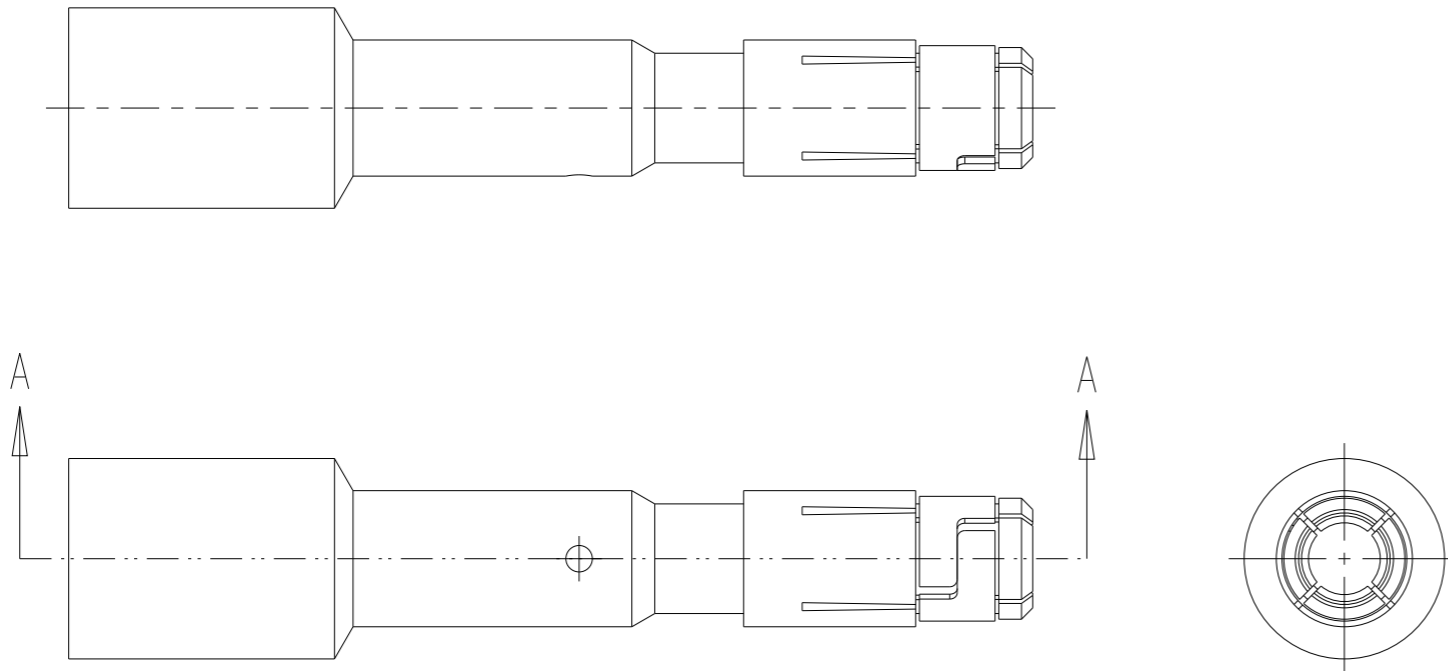


TABLE 2

0.35 - 2.5 mm <sup>2</sup>	2	60.254.11	60-0254-011-000
CRIMPING RANGE	WEIGHT (g) REF	INTERCONTEC P/N	TE P/N

TABLE 1

LIST OF PARTS				
POS	PIECE	COMPONENT COMPOSED OF	MATERIAL	SURFACE
1	1	CONTACT SOCKET 2 MM	COPPER-ZINC LEAD ALLOY	f1.Cu+Ni2Au0.2µm PASSIVATED
2	1	CONTACT TENSION SPRING	COPPER (2.1247.54 (CuBe2 F520))	-

THIS DRAWING IS A CONTROLLED DOCUMENT.

DIMENSIONS: mm	TOLERANCES UNLESS OTHERWISE SPECIFIED:
	0 PLC ±-
	1 PLC ±-
	2 PLC ±-
	3 PLC ±-
	4 PLC ±-
	ANGLES ±° 30'
MATERIAL SEE TABLE 1	FINISH SEE TABLE 1

DWN	17JUL2020
CHK	GOPALAKRISHNA HV
APVD	17JUL2020
PRODUCT SPEC	ONDREJ DUSAN
APPLICATION SPEC	ONDREJ DUSAN
WEIGHT	SEE TABLE 2
CUSTOMER DRAWING	

**TE** TE Connectivity

NAME CONTACT SOCKET 2 MM, CRIMPING RANGE 0.35 - 2.5 MM <sup>2</sup> , WITH TENSION SPRING SLOTTED			
SIZE	CAGE CODE	DRAWING NO	RESTRICTED TO
A3	00779	60-0254-011-000	-
SCALE		SHEET	REV
5:1		1 OF 1	A