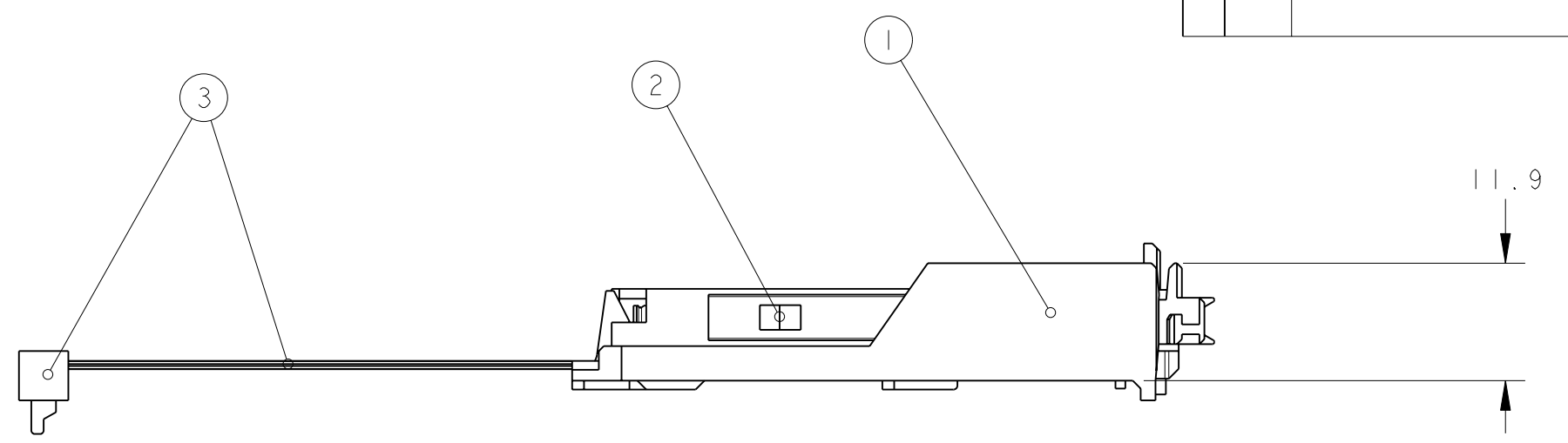
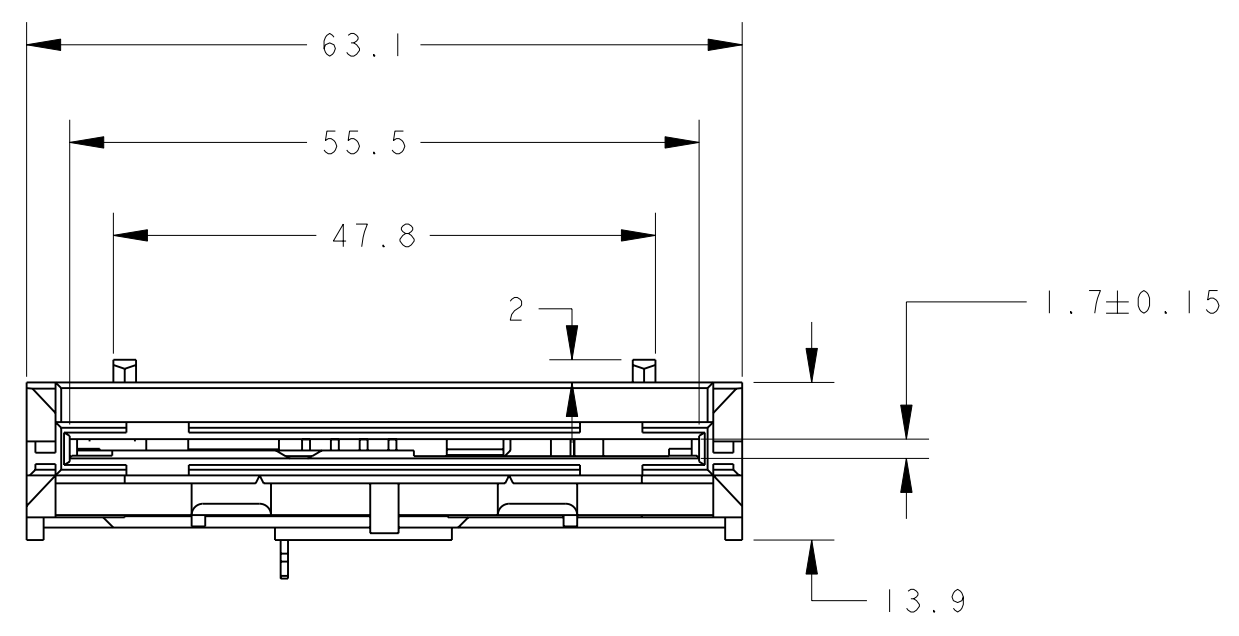


RELEASED FOR PUBLICATION
ALL RIGHTS RESERVED.

LOC	DIST	REVISIONS			
P	LTR	DESCRIPTION	DATE	DWN	APVD
IR	-	A3	ECR-11-004915	08 MAR 2011	GG PKS



NOTES:

CONTACTS PLATING :

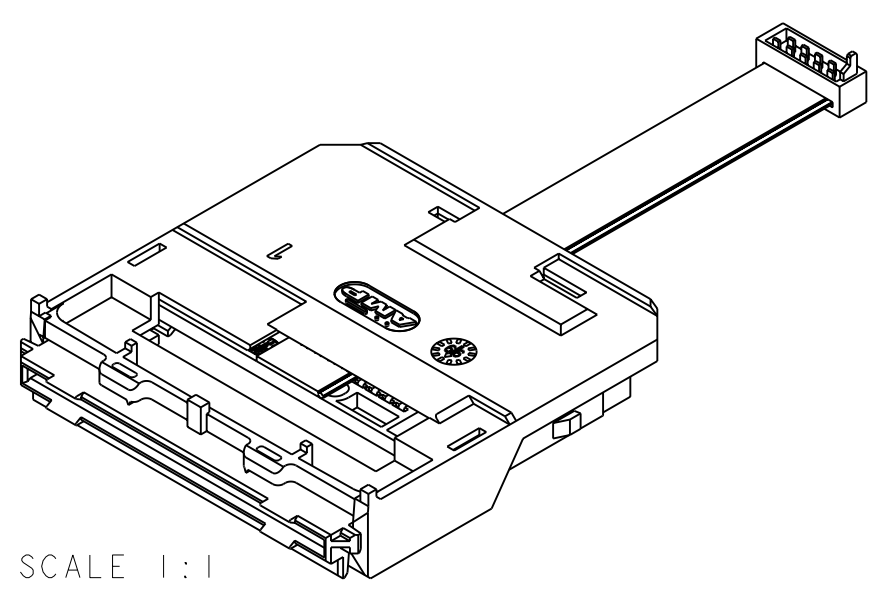
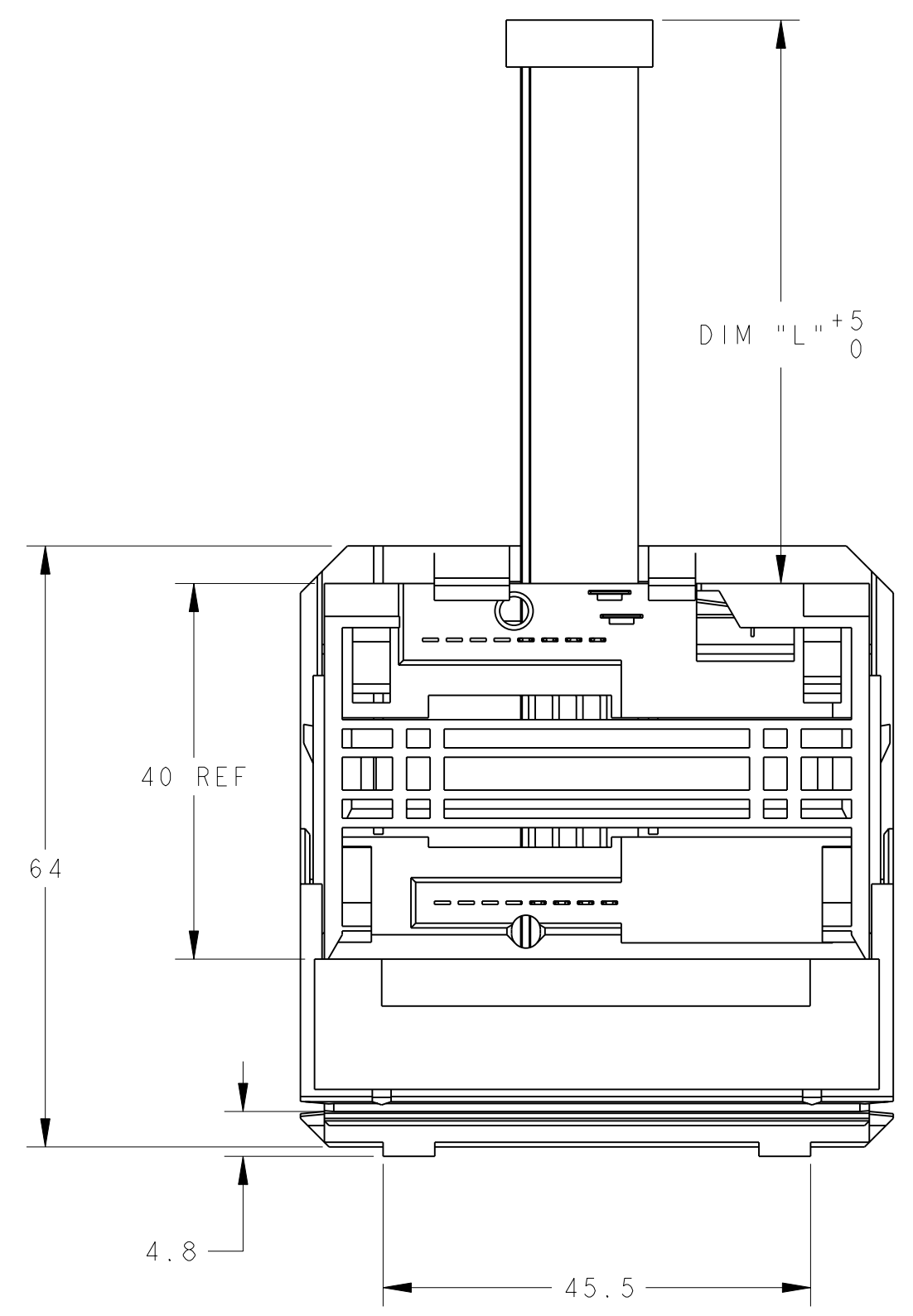
- △ OVERALL: Ni 2µm MIN, ALL OVER THE CONTACTS.
- △ SOLDER ZONE: Sn 2.5µm MIN ON THE SOLDER ZONE OF THE CONTACTS.
- △ MATING ZONE: PLATING CONFIRMS TO PRODUCT REQUIREMENTS AS PER SPECIFICATION 108-15174.

MATERIAL :

- △ HOUSING: PBT-GF, BLACK UL 94V0.
- △ CONTACTS: PHOSPHOR BRONZE.

TE P/N'S ASS'Y :

- △ 5953497-1/-3/-5/-6/-8/-1--0 8 POSITIONS ISO 7816
- △ 5953497-2/-4/-7 16 POSITIONS ISO/CP8 AFNOR
- 4 UL STYLE 2651 RIBBON CABLE PVC AND, 10 POSITIONS MICRO-MATCH CONNECTOR; TO BE MATED WITH 1-215079-0 THROUGH HOLE VERSION OR 1-188275-0 SMT VERSION
- △ TE SMART CARD RECEPTACLE DESIGNED TO ACCEPT ISO 7810-7816 TYPE INTEGRATED CIRCUIT SMART CARDS (0.76MM REF. THICKNESS) SEE SHEET 2/2
- △ CONNECTOR MEETS EMV REQUIREMENTS



-	-			-	-	-	-	-	RIBBON CABLE ASS'Y, L = 70mm	3
-	-	-	-		-	-	-	-	RIBBON CABLE ASS'Y, L = 130mm	3
-	-	-	-	-		-	-	-	RIBBON CABLE ASS'Y, L = 140mm	3
		-	-	-	-		-	-	RIBBON CABLE ASS'Y, L = 100mm	3
-	-	-	-	-	-	-			RIBBON CABLE ASS'Y, L = 60mm	3
		-			-		-		SMART CARD READER ASS'Y : 8 POS.	2
-	-		-	-		-		-	SMART CARD READER ASS'Y : 16 POS.	2
									FIXING FRAME -2	1
ASS'Y P/N 5953497 △3										
1-0	-8	-7	-6	-5	-4	-3	-2	-1	DESCRIPTION	ITEM
△6										

THIS DRAWING IS A CONTROLLED DOCUMENT.

DWN: R. Coolen 06-Dec-04
CHK: P. Jaeger
APVD: P. Jaeger

PRODUCT SPEC: 108-15174

APPLICATOR SPEC: -

WEIGHT: -

CUSTOMER DRAWING

SCALE: 3:2

SHEET 1 OF 2

REV A3

STE TE Connectivity

NAME: SMART CARD READER 0,76 mm; PANEL MOUNT WITH CABLE BLADE SWITCH, NORMALLY CLOSED

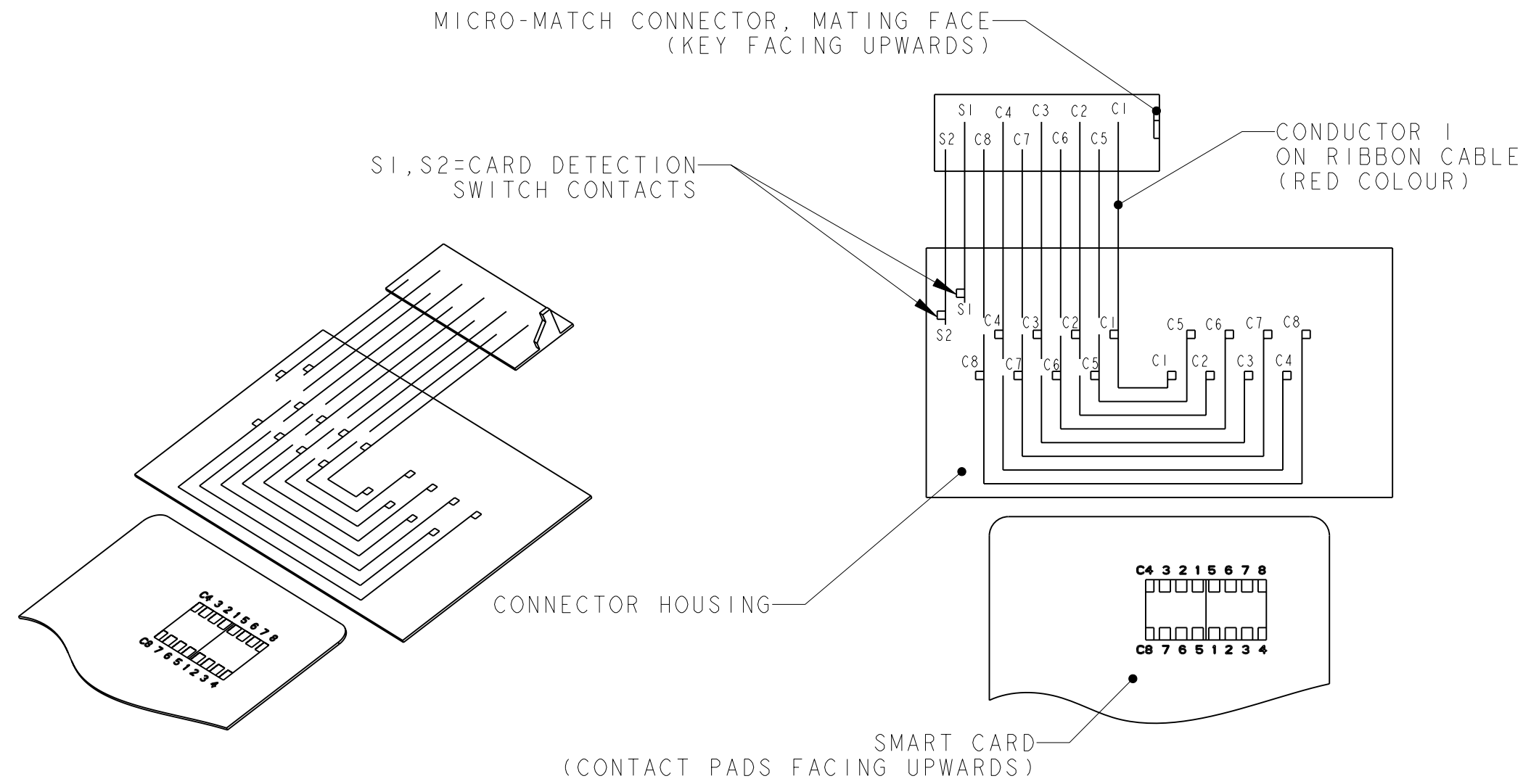
SIZE: A2

CAGE CODE: 20779

DRAWING NO: C-5953497

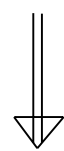
RESTRICTED TO: -

THIS DRAWING IS UNPUBLISHED. RELEASED FOR PUBLICATION
 © COPYRIGHT - ALL RIGHTS RESERVED.

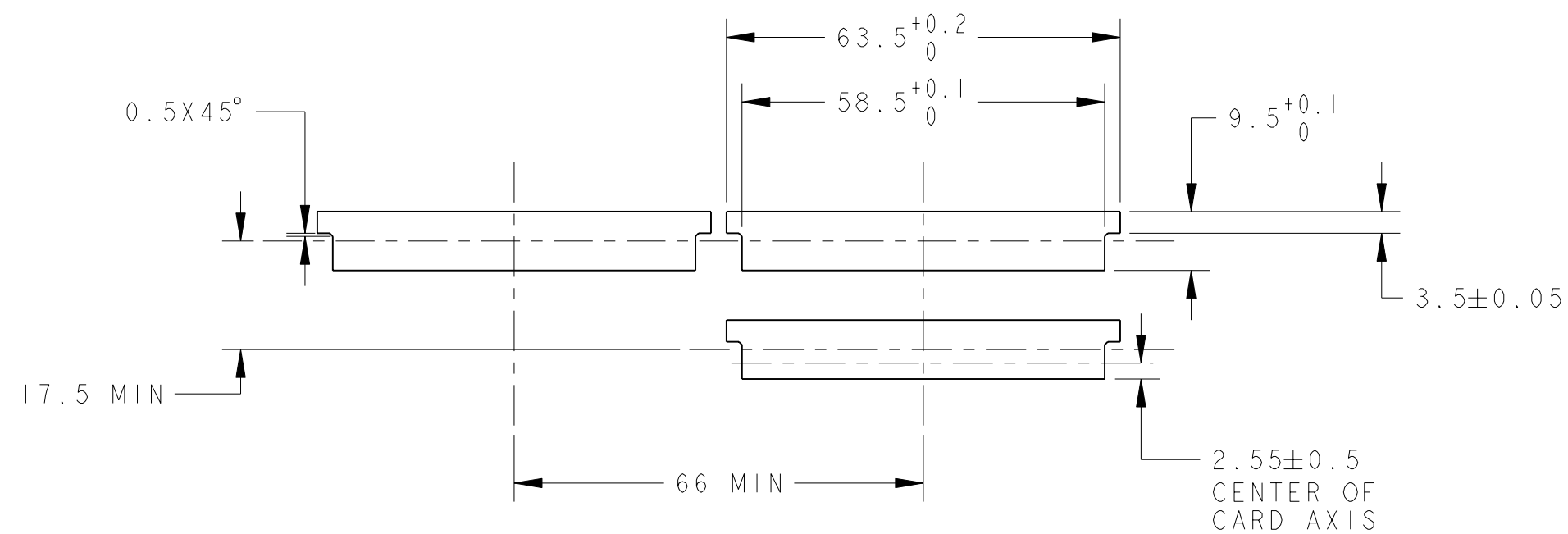


ELECTRICAL DIAGRAM

SMART CARD READER, MOUNTING DIRECTION AND RECOMMENDED PUNCHING DIRECTION



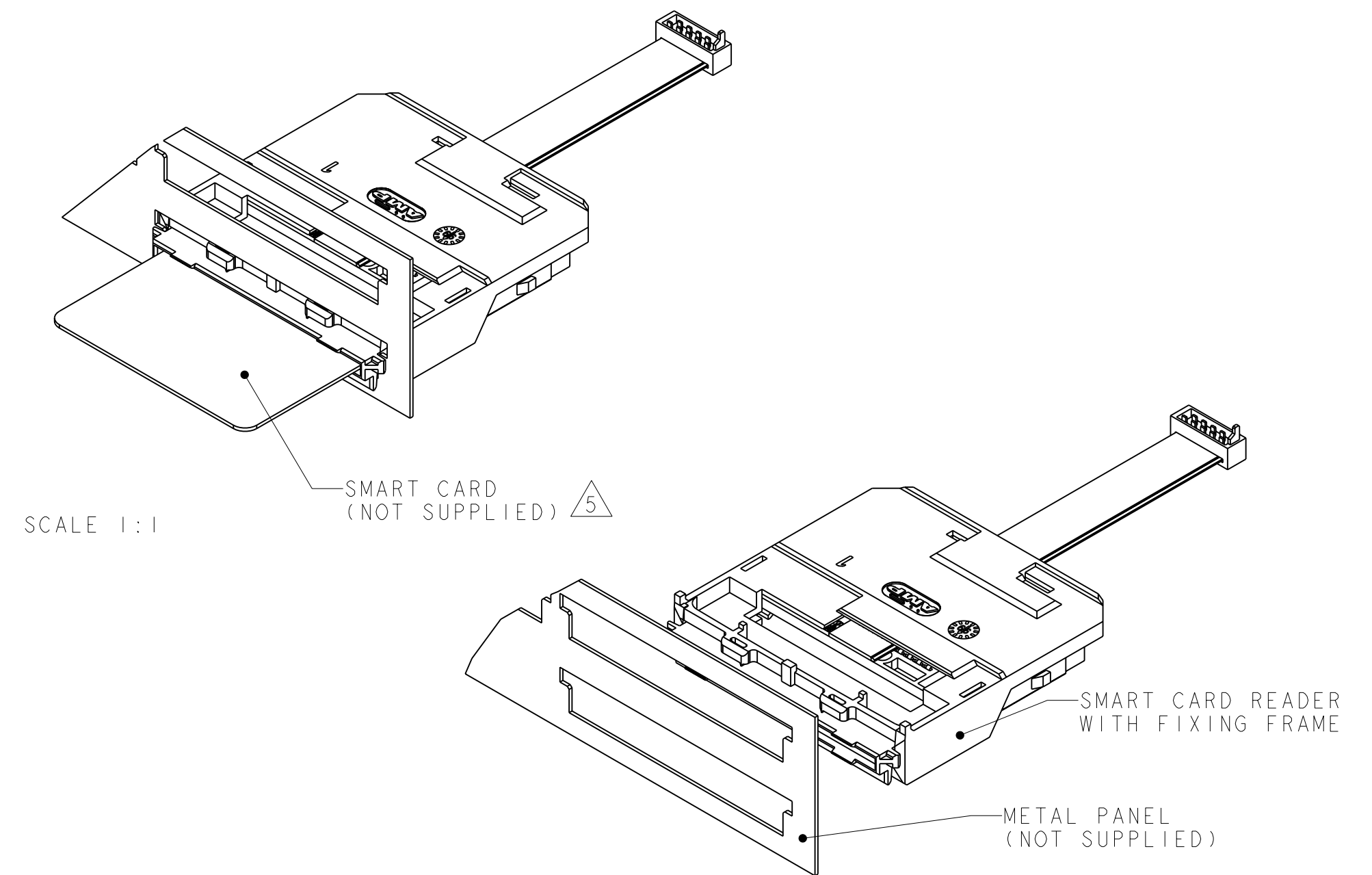
METAL PANEL
0.8±0.1
THICKNESS



SCALE 1:1

RECOMMENDED METAL PANEL CUT-OUT

LOC	DIST	REVISIONS				
P	LTR	DESCRIPTION	DATE	DWN	APVD	
IR	-	SEE SHEET 1	-	-	-	



PANEL MOUNTING CONFIGURATION

THIS DRAWING IS A CONTROLLED DOCUMENT.		DWN R. Coolen CHK P. Jaeger APVD P. Jaeger	06-Dec-04	TE Connectivity	
DIMENSIONS: mm		PRODUCT SPEC 108-15174			
TOLERANCES UNLESS OTHERWISE SPECIFIED: 0 PLC ±0,5 1 PLC ±0,3 2 PLC ±0,13 3 PLC ±0,013 4 PLC ±0,0001 ANGLES ±		APPLICATION SPEC		SIZE	RESTRICTED TO
MATERIAL		WEIGHT		A20779	-
FINISH		CUSTOMER DRAWING		C=5953497	-
SCALE 3:2				SHEET 2	REV A3