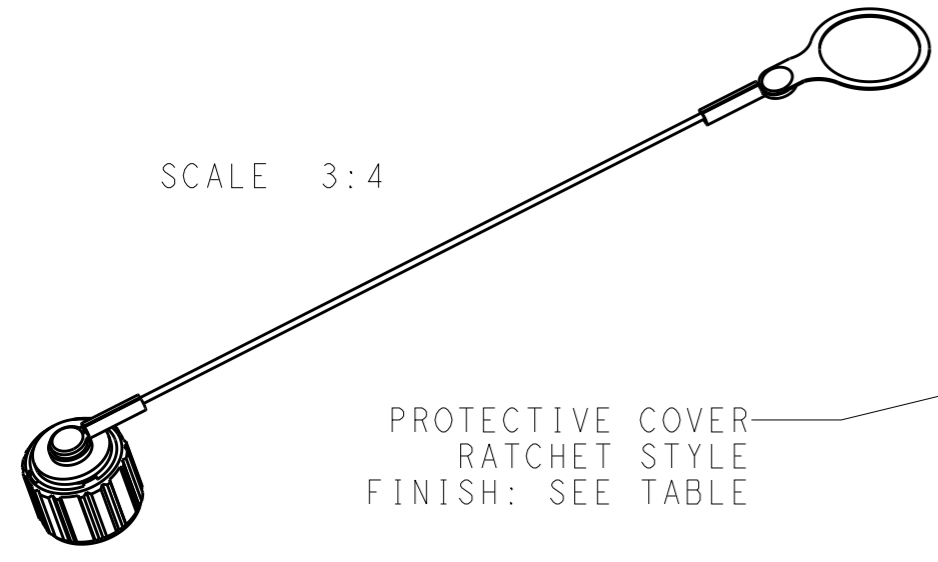


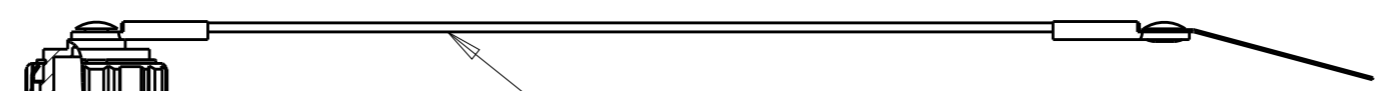
THIS DRAWING IS UNPUBLISHED. RELEASED FOR PUBLICATION 20  
 © COPYRIGHT 20 BY - ALL RIGHTS RESERVED.

LOC	DIST	REVISIONS				
P	LTR	DESCRIPTION	DATE	DWN	APVD	
-	-	C	REV PER ECO 13-006729	4-19-13	CT	DM

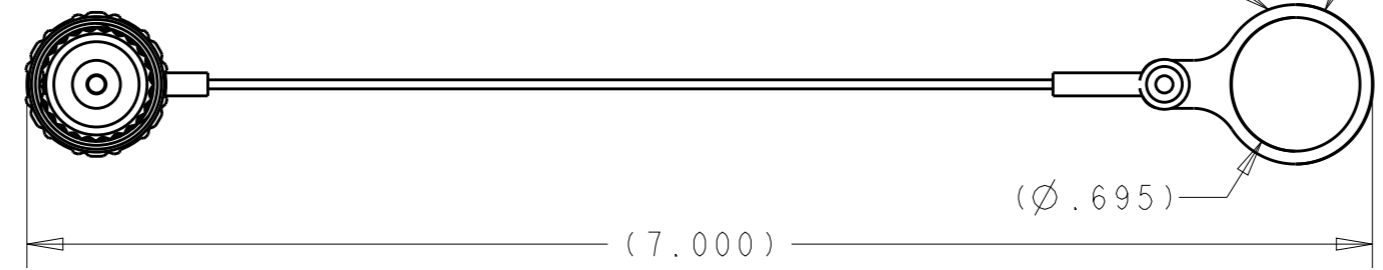


SCALE 3:4

PROTECTIVE COVER  
 RATCHET STYLE  
 FINISH: SEE TABLE



LANYARD:  
 MATERIAL: STAINLESS STEEL WIRE



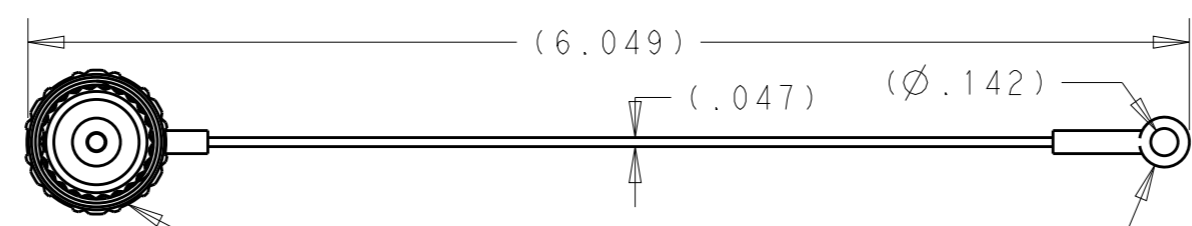
2221478-1 AND 2221478-2

RING  
 MATERIAL: SERIES 300 STAIN  
 STEEL  
 FINISH: PASSIVATED

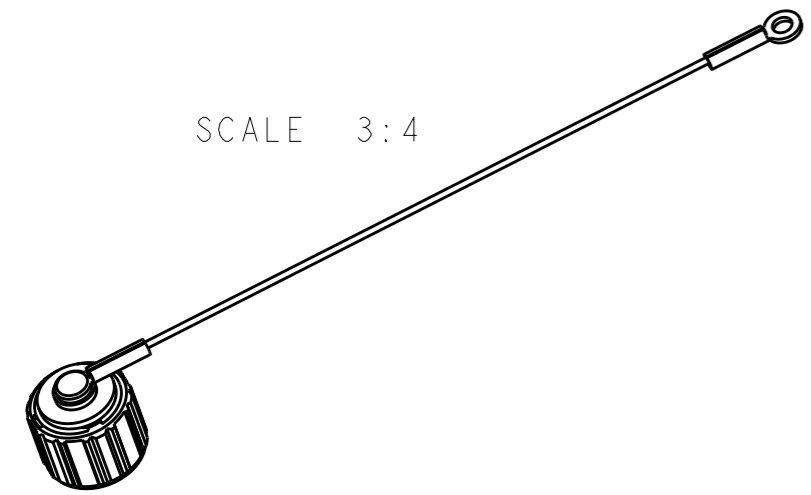


RIVET  
 MATERIAL: STEEL  
 FINISH: BLACK ZINC NICKEL

2221478-3 AND 2221478-4



PROTECTIVE COVER  
 RATCHET STYLE  
 FINISH: SEE TABLE



SCALE 3:4

BLACK ZINC NICKEL	2221478-4
NICKEL PLATE	2221478-3
BLACK ZINC NICKEL	2221478-2
NICKEL PLATE	2221478-1
FINISH	PART NUMBER

THIS DRAWING IS A CONTROLLED DOCUMENT.		DWN	06DEC2011
DIMENSIONS: INCHES		CHK	06DEC2011
TOLERANCES UNLESS OTHERWISE SPECIFIED:		APVD	06DEC2011
0 PLC	±-	PRODUCT SPEC	-
1 PLC	±.1	APPLICATION SPEC	-
2 PLC	±.02	WEIGHT	-
3 PLC	±.005	Customer Drawing	SCALE 1:1
4 PLC	±.0005		SHEET 1 OF 1
ANGLES	±-		REV C
MATERIAL	SEE TABLE		
FINISH	-		

TE Connectivity		NAME	
		PROTECTIVE CAP ASSEMBLY RATCHET STYLE	
SIZE	CAGE CODE	DRAWING NO	RESTRICTED TO
A3	00779	C-2221478	-