

Features

- * LOW CURRENT REQUIREMENTS
- * HIGH LIGHT OUTPUT
- * RELIABLE AND RUGGED
- * IC COMPATIBLE

Absolute Maximum Ratings at $T_A=25^\circ\text{C}$

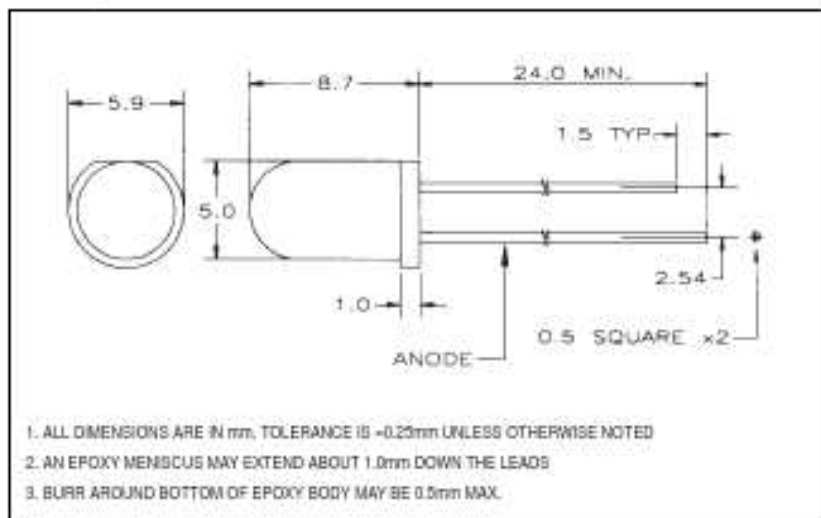
REVERSE VOLTAGE	GaAsP RED 3.0 V, OTHER 5.0 V
D.C. FORWARD CURRENT	30 mA
PULSE CURRENT (1/10 DUTY CYCLE, 0.1 ms PULSE WIDTH)	100 mA
OPERATING TEMPERATURE RANGE	-25°C TO +85°C
STORAGE TEMPERATURE RANGE	-25°C TO +100°C
LEAD SOLDERING TEMP. (1.6mm FROM BODY)	260°C FOR 5 SEC.

Electrical/Optical Characteristics at $T_A=25^\circ\text{C}$

PART NUMBER	LED CHIP		LEN'S COLOR		PEAK WAVELENGTH @20mA(nm)	FORWARD VOLTAGE @20mA(V)		LUMINOUS INTENSITY @20mA(mcd)		VIEW ANGLE $2\theta_{1/2}$ (deg)	
	MATERIAL	EMITTING COLOR				TYP.	MAX.	MIN.	TYP.		
LT1811-81	LT1812-81	GaAsP	RED	R.D.	W.D.	655	1.7	2.0	1.6	2.7	44
LT1811G-81	LT1812G-81	GaP	RED	R.D.	W.D.	700	2.1	3.0	2.5	4.1	44
LT1821-81	LT1822-81	GaP	GREEN	G.D.	W.D.	567	2.1	3.0	12.0	20.0	44
LT1831-81	LT1832-81	GaAsP ON GaP	YELLOW	Y.D.	W.D.	585	2.1	3.0	9.8	16.4	44
LT1841-81	LT1842-81	GaAsP ON GaP	ORANGE	O.D.	W.D.	635	2.1	3.0	13.9	23.1	44
LT1841R-81		GaAsP ON GaP	ORANGE	R.D.		635	2.1	3.0	13.9	23.1	44
LT1813-81	LT1814-81	GaAsP	RED	W.C.	R.C.	655	1.7	2.0	5.5	9.2	22
LT1813G-81	LT1814G-81	GaP	RED	W.C.	R.C.	700	2.1	3.0	8.4	14.0	22
LT1823-81	LT1824-81	GaP	GREEN	W.C.	G.C.	567	2.1	3.0	40.9	68.1	22
LT1833-81	LT1834-81	GaAsP ON GaP	YELLOW	W.C.	Y.C.	585	2.1	3.0	33.5	55.8	22
LT1843-81	LT1844-81	GaAsP ON GaP	ORANGE	W.C.	O.C.	635	2.1	3.0	47.3	78.8	22
	LT1844R-81	GaAsP ON GaP	ORANGE		R.C.	635	2.1	3.0	47.3	78.8	22

- (1) LENS COLOR: G.D. GREEN DIFFUSED, Y.C. YELLOW CLEAR, R.D. RED DIFFUSED, O.D. ORANGE DIFFUSED, G.C. GREEN CLEAR, Y.D. YELLOW DIFFUSED, W.C. WATER CLEAR, O.C. ORANGE CLEAR, W.D. WHITE DIFFUSED, R.C. RED CLEAR
- (2) SPECIFICATIONS ARE SUBJECT TO CHANGE WITHOUT NOTICE.
- (3) ALL ABOVE COMPONENTS ARE CONSIDERED. DEVIATIONS FROM STATED SPECIFICATIONS WILL REQUIRE A NEW PART NUMBER BE ASSIGNED.

Package Dimensions



Radiation Pattern

