

PRODUCT NUMBER  
10075025-XXX-XXXLF

PLATING

- S = 0.38µm GOLD/GXT ON CONTACT AREA  
2µm MIN MATTE TIN ON TAIL
- G = 0.76µm GOLD/GXT ON CONTACT AREA  
2µm MIN MATTE TIN ON TAIL
- F = GOLD FLASH ON CONTACT AREA  
2µm MIN MATTE TIN ON TAIL
- 1.27µm MIN NICKEL UNDERPLATING

LEAD FREE  
RoHS COMPATIBLE  
NOTE 7

PACKAGING  
NOTE 5

TOTAL NUMBER OF  
POSITIONS 04 TO 50

PIN STYLE	TAIL LENGTH	MISSING PIN POSITION
01	2.00	
02	2.50	
03	2.00	A01
04	5.00	

NOTES:

1. MATERIAL HOUSING: HIGH TEMP. THERMOPLASTIC  
UL 94V-0, COLOR NATURAL
2. MATERIAL TERMINAL: COPPER ALLOY
3. TO DETERMINE DIMENSIONS:  
N = NUMBER OF POSITIONS PER ROW
4. 7N MIN. PIN RETENTION IN EITHER DIRECTION.
5. PACKAGING:  
= STANDARD PACKAGING IN POLYBAG  
U = TUBE AVAILABLE FROM 03 TO 25 POS PER ROW  
A = TAPE & REEL WITH PICK UP CAP, AS AVAILABLE.
6. POLARIZATION :  
- SEE TABLE FOR AVAILABILITY  
- FOR NEW REQUEST, PLEASE TO CONTACT FCJ

7. RoHS COMPATIBLE PRODUCT SPECIFICATIONS

a - PLATING:

- "LF" MEANS THE PRODUCT IS LEAD-FREE,  
2µm MINIMUM MATTE TIN OVER 1.27µm  
MINIMUM NICKEL UNDERPLATE.

b - MANUFACTURING PROCESS COMPATIBILITY

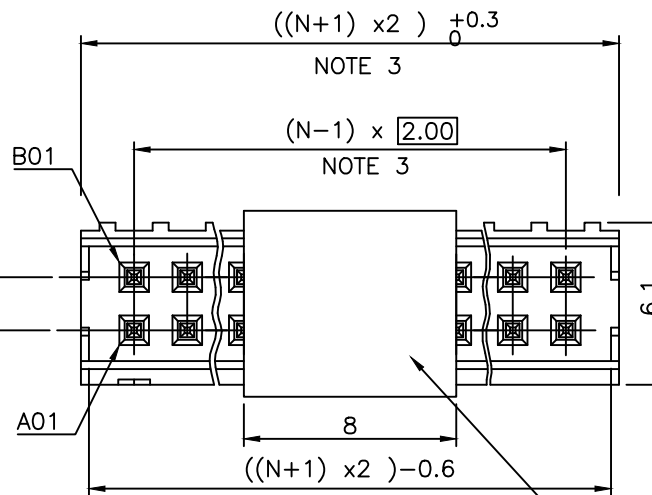
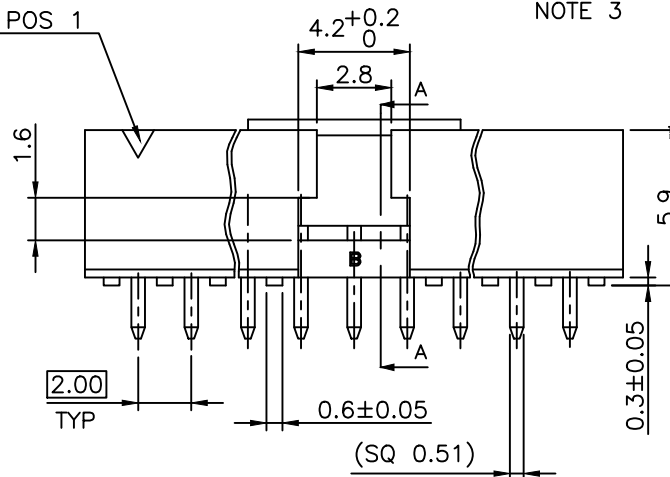
- THE HOUSING WILL WITHSTAND EXPOSURE TO 260°C PEAK  
TEMPERATURE FOR 30 SECONDS MAX IN A CONVECTION,  
INFRA-RED, OR VAPOR PHASE OR REFLOW OVEN
- THE HOUSING WILL WITHSTAND EXPOSURE TO 260°C ±5°C  
SOLDER BATH TEMPERATURE FOR 5 SECONDS IN A WAVE  
SOLDER APPLICATION WITH A 1.6mm MIN THICK CIRCUIT BOARD.

c - LABELLING:

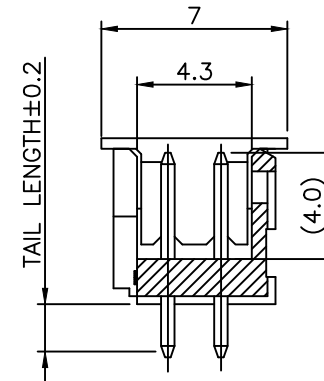
- MEETS PACKAGING SPECS AS PER GS-14-920

d - LEGAL STATEMENT: SEE GS-47-0004

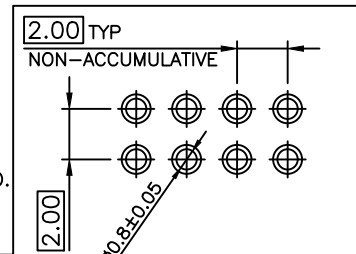
INDICATES POS 1



OPTIONAL PICK UP CAP



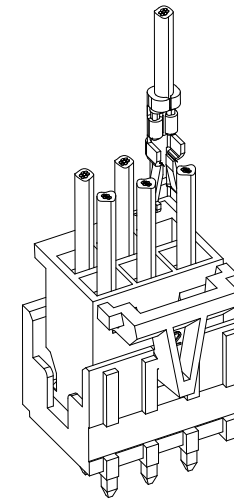
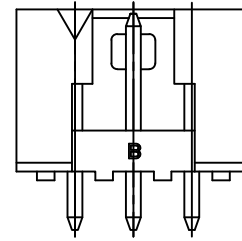
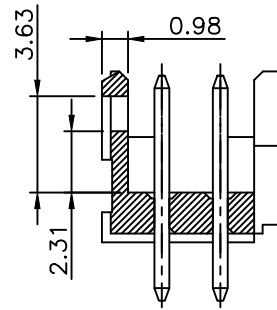
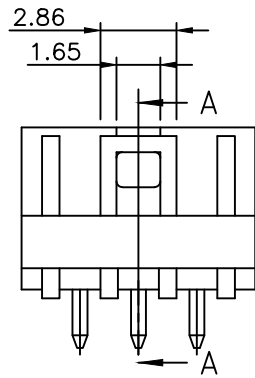
SECTION A-A



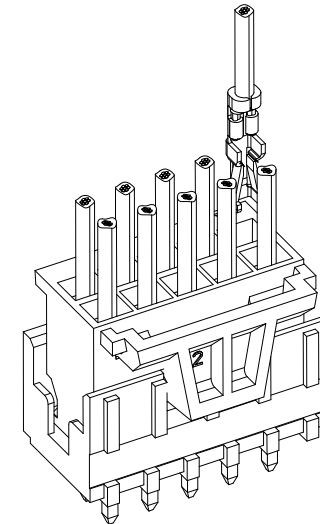
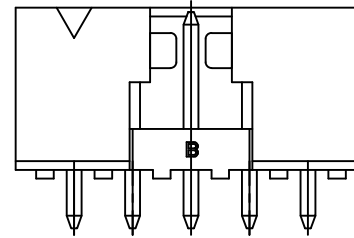
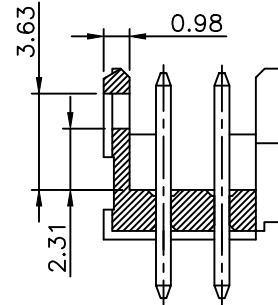
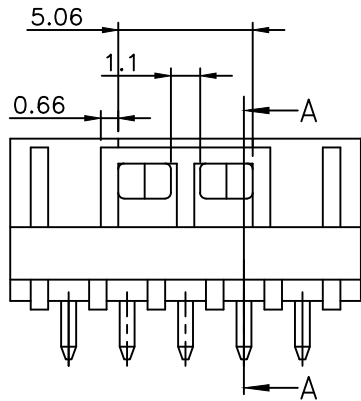
RECOMMENDED 1.6mm THICK PCB LAYOUT  
STENCIL DESIGN RECOMMENDATIONS  
AS PER TA-896

PRELIMINARY

mat'l. code		surface ISO 1302 ✓		tolerance ISO 406 ISO 1101		projection mm		product family MINITEK	
ltr ecn no dr date		tolerances unless otherwise specified		angles linear		mm		title	
R	F-23051	AMA	16.01.15					UNSHR.HEADER	
S	F-24837	AMA	16.08.29					2.00 mm VERTICAL PIP	
T	F-24838	LMU	16.08.29					scale 5:1	
U	F-34620	DDE	19.08.20	dr	L MULIN	07.01.04	dwg no		
					enr J.COMPAGNON	07.01.04	sheet 1 of 2 size		
N	B-20254	LMU	15.02.16	chr			10075025 A3		
P	B-21209	AMA	15.06.22	appd	JM.C	07.01.04	type CUSTOMER Drawing		
sheet index	revision	U	B						
	sheet	1	2						



2x3 POS AND 2x4 POS CONFIGURATION  
NO LATCHING AVAILABLE FOR 2x2 POS



2x5 POS UP TO 2x25 POS CONFIGURATION

LATCHING FEATURES WHEN USED IN COMBINATION  
WITH ACTIVE LATCH HOUSING 10073599

mat'l. code		surface		tolerance		projection		product family	
		ISO 1302		ISO 406 ISO 1101		mm		MINITEK	
ltr		ecn no		dr		date		title	
A		F06-0113		LMU		08.01.07		UNSHR.HEADER	
B		B-17556		JCO		14.04.23		2.00 mm VERTICAL PIP	
								dwg no	
								10075025	
								sheet 2 of 2	
								size	
								A3	
								type	
								CUSTOMER Drawing	
sheet index		revision sheet							



Copyright FCI

FCIconnect.com