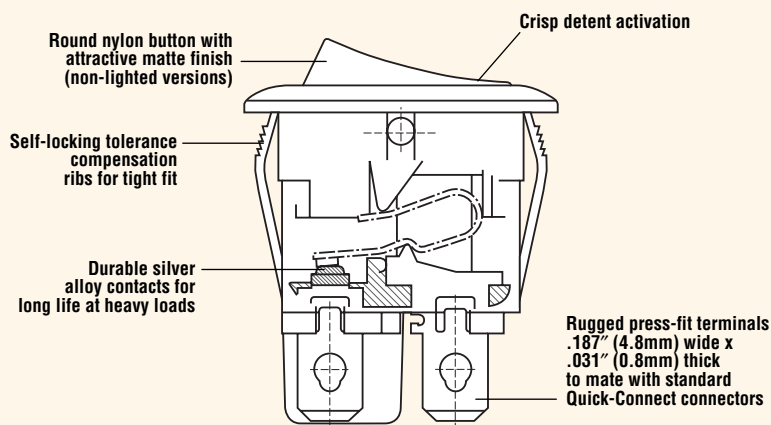


ROUND ROCKER SWITCH

RR Series

Features

- Single-pole and double-pole configurations
- Lighted and non-lighted options
- Available in a wide variety of colors
- High current switching in a compact round package
- Self-locking tabs to fit industry-standard panel cut-outs
- Mechanical life: min. 100,000 operations



Electrical Ratings

Switch Series	EN61058 Rating	UL1054 Rating	Electrical Life at Rated Load	
			According to VDE (Min. Operations)	According to UL (Min. Operations)
RR	10(4)A, 250V~, μ T125/55	10A, 125VAC; 8A, 250VAC, 1/4 HP; 125/250VAC	10,000	6,000

Specifications

Electrical

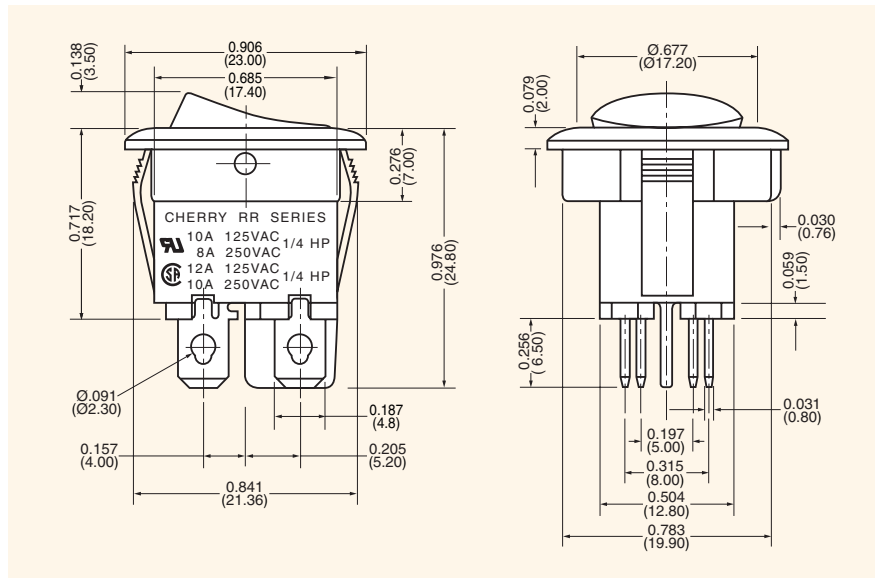
Dielectric Strength:	1000VAC for 1 minute
Insulation Resistance:	10^9 ohms min at 500VDC
Initial Contact Resistance:	.020 ohms max
Temperature Range:	-20°C to +85°C

Materials

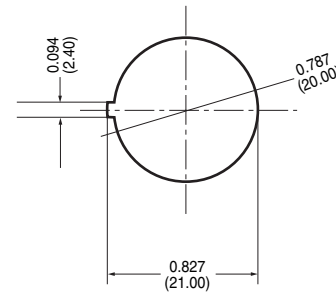
Actuator (non-lighted):	Nylon 66 94V-2
Actuator (lighted):	Polycarbonate
Base:	Nylon 66 94V-2
Contacts:	Silver Alloy
Movable Arm:	Copper Alloy
Terminals:	Tin-Plated Copper Alloy



Dimensions inches (mm)



Panel Cut-Out Dimensions for Panel Thickness inches (mm) 0.039 to 0.078 (1.0 to 2.0)



Examples of Common Part Numbers and Descriptions inches (mm)

Part Number	Circuitry	Switch Function	Terminal Type	Actuator/Housing Color	Legend Marking
RRA22H3BBBNN		On - Off	0.187 (4.8) Quick-Connect	Black/ Black	
RRA32H3FBBNN		On - Off	0.187 (4.8) Quick-Connect	Black/ Black	
RRA22H3BWWNN		On - Off	0.187 (4.8) Quick-Connect	White/ White	
RRA22H3FBRNN		On - Off	0.187 (4.8) Quick-Connect	Red/ Black	
RRA22H3BBRLN		On - Off/Lighted	0.187 (4.8) Quick-Connect	Red/ Black	
RRA32H3BBRLN		On - Off/Lighted	0.187 (4.8) Quick-Connect	Red/ Black	

Ordering Information

RR Series	A Code Contact Rating	2 Code Circuitry	2 Code Switch Function	H 3 Code Actuator Type	F B Code Housing Color	B N Code Lighted	N Code Body Type
	A 10A, 125VAC; 8A, 250VAC; 1/4HP, 125/250VAC (UL) 12A, 125VAC; 10A, 250VAC; 1/4HP, 125/250VAC (CSA) 10(4)A, 250V~, μT125/55 (VDE)	2 Single-Pole 3 Double-Pole	2 On - Off	H 0.187 (4.8) QC L PC Thru-Hole Right Angle M PC Thru-Hole Straight	B Blank D O I E O I F O - G .	B Black W White Y Grey C Brown E Charcoal Grey	N Non-Lighted L Lighted (Bulb 125VAC) E Lighted (Bulb 250VAC) G Lighted 6VDC Incandescent H Lighted 12VDC Incandescent
					B Black G Green A Amber R Red W White Y Grey C Brown E Charcoal Grey		N No Splashproof Rocker Boot