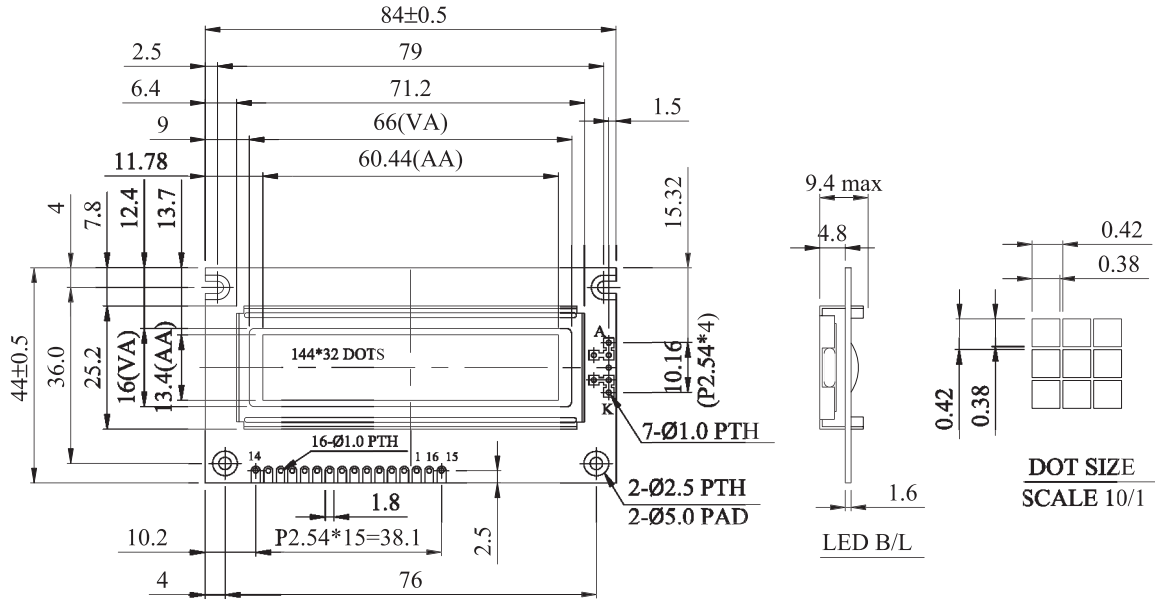


WG14432C Graphic 144x32 dots

Dimension drawing



Graphic type

Feature

1. Built-in controller (ST7920)
2. 1/32 duty cycle
3. +5.0V power supply

Mechanical Data

| Item | Standard Value | Unit |
|------------------|----------------|------|
| Module Dimension | 84.0x44.0x9.4 | mm |
| Viewing Area | 66.0x16.0 | mm |
| Dot Size | 0.38x0.38 | mm |
| Mounting hole | 0.42x0.42 | mm |

| Pin NO. | Symbol | Function |
|---------|--------|------------------------------------|
| 1 | Vss | Ground |
| 2 | Vdd | Supply voltage for logic |
| 3 | Vo | Operating voltage for LCD |
| 4 | RS | Register select signal |
| 5 | R/W | H: read data L: write data |
| 6 | E | Enable signal |
| 7 | DB0 | Data bus line |
| 8 | DB1 | Data bus line |
| 9 | DB2 | Data bus line |
| 10 | DB3 | Data bus line |
| 11 | DB4 | Data bus line |
| 12 | DB5 | Data bus line |
| 13 | DB6 | Data bus line |
| 14 | DB7 | Data bus line |
| 15 | A/VEE | Negative Voltage Output |
| 16 | K | Power Supply for LED backlight(-) |

Absolute Maximum Rating

| Item | Symbol | Standard Value | | | Unit |
|---------------|---------|----------------|------|------|------|
| | | min. | typ. | max. | |
| Power Supply | VDD-VSS | 4.75 | 5.0 | 5.25 | V |
| Input Voltage | VI | 0 | --- | VDD | V |

Note: VSS=0 Volt, VDD=5.0 Volt.

Electronical Characteristics

| Item | Symbol | Condition | Standard Value | | | Unit |
|--|--------|-------------------------------|----------------|------|------|-------------------|
| | | | min. | typ. | max. | |
| Input Voltage | VDD | --- | 4.5 | 5.0 | 5.5 | V |
| Supply Current | IDD | VDD=5V | --- | 1.2 | 1.5 | mA |
| Recommended LC Driving Voltage for Normal Temp. Version module | VDD-VO | -20 C | --- | --- | 6.0 | V |
| | | 25 C | --- | 4.7 | --- | |
| | | 70 C | 4.0 | --- | --- | |
| CCFL Starting | VFLS | 25 C | --- | --- | --- | Vrms |
| CCFL Driving Voltage | VFLD | 25 C | --- | --- | --- | Vrms |
| CCFL Driving Current | IFLD | VFO=460Vrms 30KHz | --- | --- | --- | mA _{rms} |
| LED Forward Voltage | VF | 25 C | --- | 4.0 | 4.3 | V |
| LED Forward Current | IF | 25 C | --- | 130 | 260 | mA |
| EL Power Supply Current | IEF | V _{el} =110VAC/400Hz | --- | --- | 5.0 | mA |