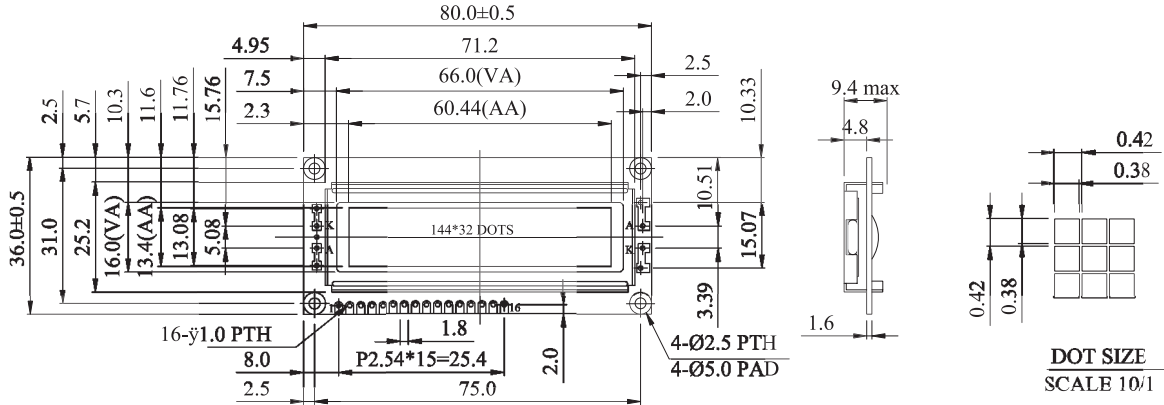


WG14432E Graphic 144x32 dots

Dimension drawing



Graphic type

Feature

1. Built-in controller (ST7920)
2. 1/32 duty cycle
3. +5.0V power supply

Pin NO.	Symbol	Function
1	Vss	Ground
2	Vdd	Supply voltage for logic
3	Vo	Operating voltage for LCD
4	RS	Register select signal
5	R/W	H: read data L:write data
6	E	Enable signal
7	DB0	Data bus line
8	DB1	Data bus line
9	DB2	Data bus line
10	DB3	Data bus line
11	DB4	Data bus line
12	DB5	Data bus line
13	DB6	Data bus line
14	DB7	Data bus line
15	A/VEE	Negative Voltage Output
16	K	Power Supply for LED backlight(-)

Mechanical Data

Item	Standard Value	Unit
Module Dimension	88.0x36.0x9.4	mm
Viewing Area	66.0x16.0	mm
Dot Size	0.38x0.38	mm
Mounting hole	0.42x0.42	mm

Absolute Maximum Rating

Item	Symbol	Standard Value			Unit
		min.	typ.	max.	
Power Supply	VDD-VSS	4.75	5.0	5.25	V
Input Voltage	VI	0	---	VDD	V

Note: VSS=0 Volt , VDD=5.0 Volt .

Electronical Characteristics

Item	Symbol	Condition	Standard Value			Unit
			min.	typ.	max.	
Input Voltage	VDD	---	4.5	5.0	5.5	V
Supply Current	IDD	VDD=5V	1.6	2.2	3.5	mA
Recommended LC Driving Voltage for Normal Temp. Version module	VDD-VO	-20°C	---	---	5.5	V
		25°C	---	4.8	---	
		70°C	4.2	---	---	
CCFL Starting	VFLS	25°C	---	---	---	Vrms
CCFL Driving Voltage	VFLD	25°C	---	---	---	Vrms
CCFL Driving Current	IFLD	VFC=460Vrms 30KHZ	---	---	---	mAms
LED Forward Voltage	VF	25°C	4.0	4.2	4.4	V
LED Forward Current	IF	25°C	80	100	150	mA
EL Power Supply Current	IEF	Vel=1.10VAC,400Hz	---	---	5.0	mA