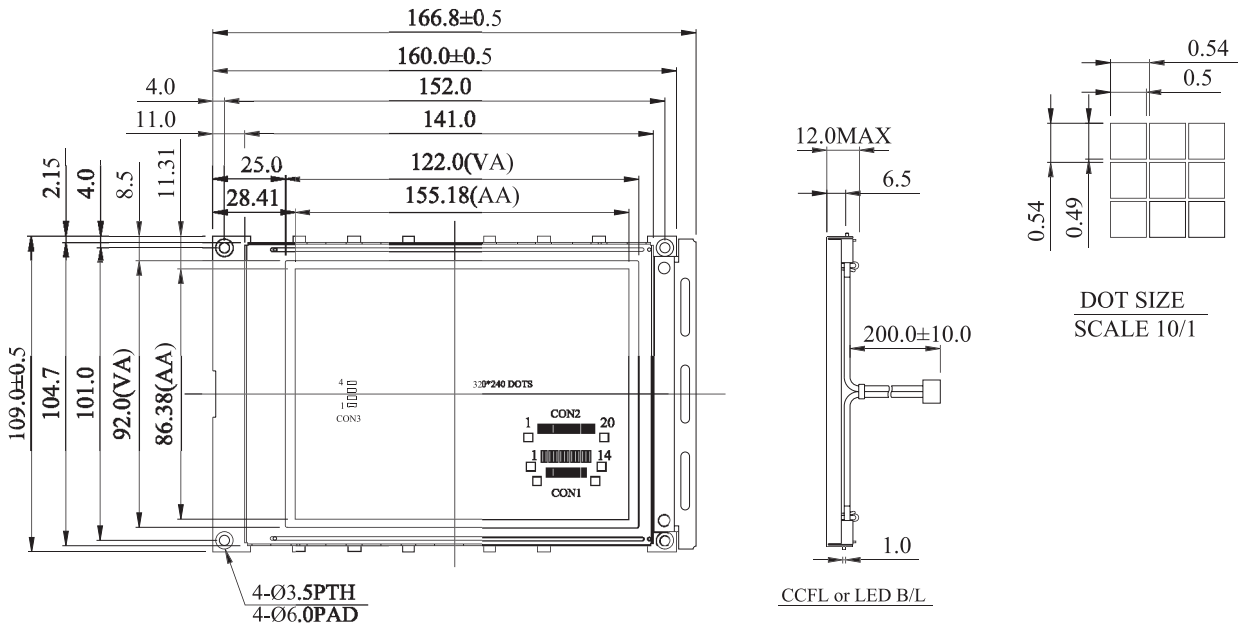




WG320240R Graphic 320x240 dots

Dimension drawing



Feature

1. Built-in controller RA8803
2. Built-in Negative Voltage generator
3. 1/240 duty cycle
4. Touch screen option
5. Temperature compensation option

Pin NO.	Symbol	Function
1	Vss	Ground
2	Vdd	Power supply for logic
3	Vo	Driving voltage for LCD
4	RS	Register/Data select
5	RD	8080 family:Read signal,6800 family:Enable clock
6	WR	8080 family:Write signal,6800 family:R/W signal
7	DB0	Data bus line
8	DB1	Data bus line
9	DB2	Data bus line
10	DB3	Data bus line
11	DB4	Data bus line
12	DB5	Data bus line
13	DB6	Data bus line
14	DB7	Data bus line
15	CS	Chip select
16	RES	Reset
17	Vee	Negative Voltage Output
18	BUSY	Ra8803 star
19	INT	Programable interrupt for 8803
20	A	Power supply for B/L

Mechanical Data

Item	Standard Value	Unit
Module Dimension	166.8x109.0	mm
Viewing Area	122.0x92.0	mm
Mounting hole	152.0x101.0	mm
Dot Pitch	0.54x0.54	mm

Absolute Maximum Rating

Item	Symbol	Standard Value			Unit
		min.	typ.	max.	
Power Supply	VDD-VSS	4.75	5.0	5.25	V
Input Voltage	VI	-0.3	---	VDD	V

Note: VSS=0 Volt , VDD=5.0 Volt .

Electronical Characteristics

Item	Symbol	Condition	Standard Value			Unit
			min.	typ.	max.	
Input Voltage	VDD	---	4.5	5.0	5.5	V
Supply Current	IDD	VDD=5V	---	110.0	---	mA
Recommended LC Driving Voltage for Normal Temp. Version module	VDD-VO	-20 C	---	---	24.8	V
		25 C	---	23.3	---	
		70 C	21.6	---	---	
CCFL Starting	VFLS	25 C	---	600	---	Vrms
CCFL Driving Voltage	VFLD	25 C	---	270	---	Vrms
CCFL Driving Current	IFLD	VFO=450Vrms 30KHZ	4.8	5.3	5.5	mAms
LED Forward Voltage	VF	25 C	---	4.2	4.6	V
LED Forward Current	IF	25 C	---	180	360	mA
EL Power Supply Current	IEF	Vel=110VAC,400Hz	---	---	5.0	mA

Graphic type